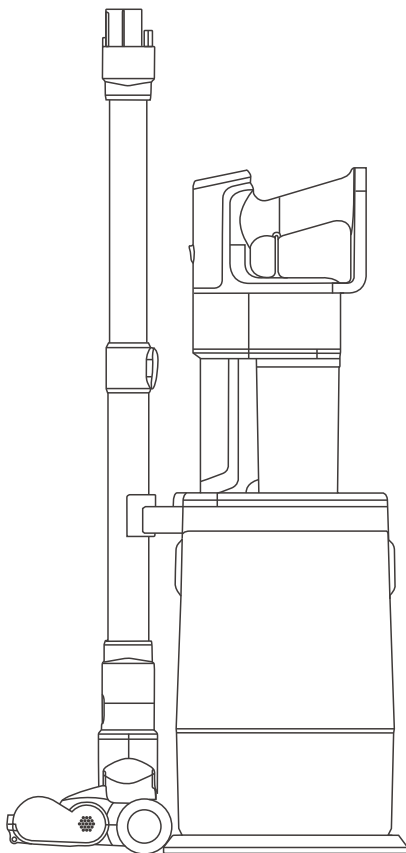


S90 Pro

User Manual

Cordless Stick Vacuum Cleaner
with Station



For more detailed information,
please visit: www.iliferobot.com

ILIFE

Dear Customer,

Thank you for purchasing the ILIFE S90 Pro Cordless Stick Vacuum Cleaner with Station and making the wise choice to join the millions of people already using these intelligent machines.

Taking a few moments to read through and familiarize yourself with this manual is the best way to make sure you get the most out of your new machine. Should you encounter any issues with your machine, please don't hesitate to contact our customer service line or visit us at www.iliferobot.com for assistance.

Follow us on X to enjoy these exclusive benefits:

- Support for your specific machine, answers to your questions, maintenance tips, video demonstrations, live chat, and more.
- Product updates and other valuable information - be the first to find out about new machines, exclusive discounts, and special promotions.

Connect with us now on

X: https://x.com/ilife_Global

Enjoy the best cleaning available on the market every single day! Yours,
ILIFE Innovation

ILIFE Customer Service



1-800-631-9676 (Toll free for North America)

Mon-Fri: 8:00 - 16:30 CST



service_us_ca@iliferobot.com (North America)

service_mx@iliferobot.com (Mexico)

Table of Contents


1. Safety Instructions & Warnings	3
2. About Your S90 Pro	5
2.1 What's in the Box	5
2.2 Technical Specifications	6
2.3 Product Overview	7
3. Setup & First Use	8
3.1 Assembly & Installation	8
3.2 Charging	8
3.3 Getting Started	9
3.4 Using the Self-emptying Station	10
4. Maintenance & Cleaning	11
4.1 Replacing the Bag	11
4.2 Cleaning the Filter	12
4.3 Cleaning the Motorized Brush	13
5. Troubleshooting	14
6. FCC Warning	15

1.1 Safety Instructions & Warnings

Please be sure to read all the instructions and warnings provided in this manual before attempting to use the product.

Basic safety precautions should always be followed to reduce the risk of fire, electric shock, or injury when using an electrical appliance.

WARNINGS

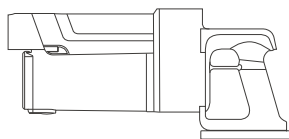
1. This vacuum cleaner is intended for household indoor use only. Do not use it for commercial or industrial purposes. 
2. Before connecting the product to a power supply, ensure that the local voltage matches the voltage specified on the station.
3. Inspect the product and the station for any damage before use.
4. Use this product strictly in accordance with the instructions in this manual. Do not attempt any maintenance or repair procedures not specified in this manual.
5. This product is not intended for use by children or persons with reduced physical, sensory, or mental capabilities, or lack of experience and knowledge, unless they have been given supervision or instruction concerning the use of the product by a person responsible for their safety.
6. Keep the product out of the reach of children. Do not allow children to use the product as a toy.
7. Keep the vacuum cleaner away from fire, heat sources, and high-temperature surfaces.
8. Do not use or store the product under extreme conditions.
9. Store the product in a cool and dry place away from direct sunlight.
10. Do not touch the plug or the product with wet hands.
11. Use only the battery originally supplied with the product. Using other batteries may result in fire, explosion, or personal injury.
12. Stop using the product immediately and contact customer service if the product malfunctions, has been dropped, damaged, or exposed to water.
13. Use only approved replacement parts and accessories.
14. Do not use the product if the plug or power cord is damaged.
15. Turn off the vacuum cleaner before cleaning, maintenance, or replacing any parts.
16. Disconnect the product from the power supply if it will not be used for an extended period of time.

17. Do not use this vacuum cleaner to pick up liquids.
18. Do not use this vacuum cleaner to pick up flammable or explosive substances such as gasoline, or use the product in areas where such substances may be present.
19. Do not use this vacuum cleaner to clean up materials that are on fire or burning such as cigarettes, matches, or hot ashes.
20. Do not insert objects into openings. Keep air passages free of dust, lint, hair, or other obstructions.
21. Do not use the product without the dust cup and filters properly installed.
22. Unplug the product before cleaning, maintenance, or replacing filters.
23. Use extra care when cleaning stairs.
24. Do not use the product outdoors, in bathrooms, or within 3 meters (10 feet) of water sources.
25. Clean the product with a dry cloth only. Do not use gasoline, alcohol, or chemical solvents.
26. Fire Hazard Warning: Do not place the product near high-temperature surfaces or attempt to dispose of it by incineration, even if severely damaged.
27. Fire Hazard Warning: Do not apply fragrances or scented products to the filter, as they may be flammable.
28. Do not use the self-cleaning station if it is damaged.
29. Do not use the vacuum cleaner to pick up hard or sharp objects such as construction debris, glass fragments, or nails.
30. Do not rinse or wash the product directly with water.
31. Charge the product only with the supplied self-cleaning station.
32. This product is equipped with a 2200 mAh rechargeable lithium battery.

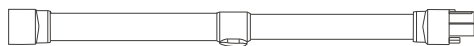
MODIFICATION:

Any changes or modifications not expressly approved by the grantee of this device could void the user's authority to operate the device.

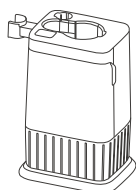
2.1 What's in the Box



Main Motor x1



Retractable Metal Tube x1



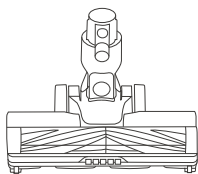
Self-emptying Station x1



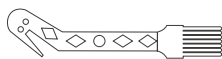
2-in-1 Brush x1



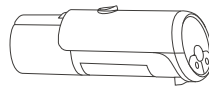
Filter x1



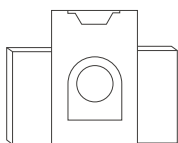
Motorized Floor Brush x1



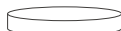
2-in-1 Cleaning Tool x1



Battery Pack x1



Dust Bag x5



Sponge x1



User Manual x1

Note:

The illustrations in this manual are for reference only. Actual product design and components may differ slightly as improvements are made to subsequent releases of the product. Please refer to the actual product.

2.2 Technical Specifications

Specification	Details
Model	S90 Pro
Voltage Supply	120V~60Hz
Output Voltage	27V \equiv
Net Weight	5.0kg
Gross Weight	6.2kg

Note:

* As we are constantly striving to improve our products, we reserve the right to make changes to technical specifications and design without prior notice.

2.3 Product Overview

Handheld Vacuum

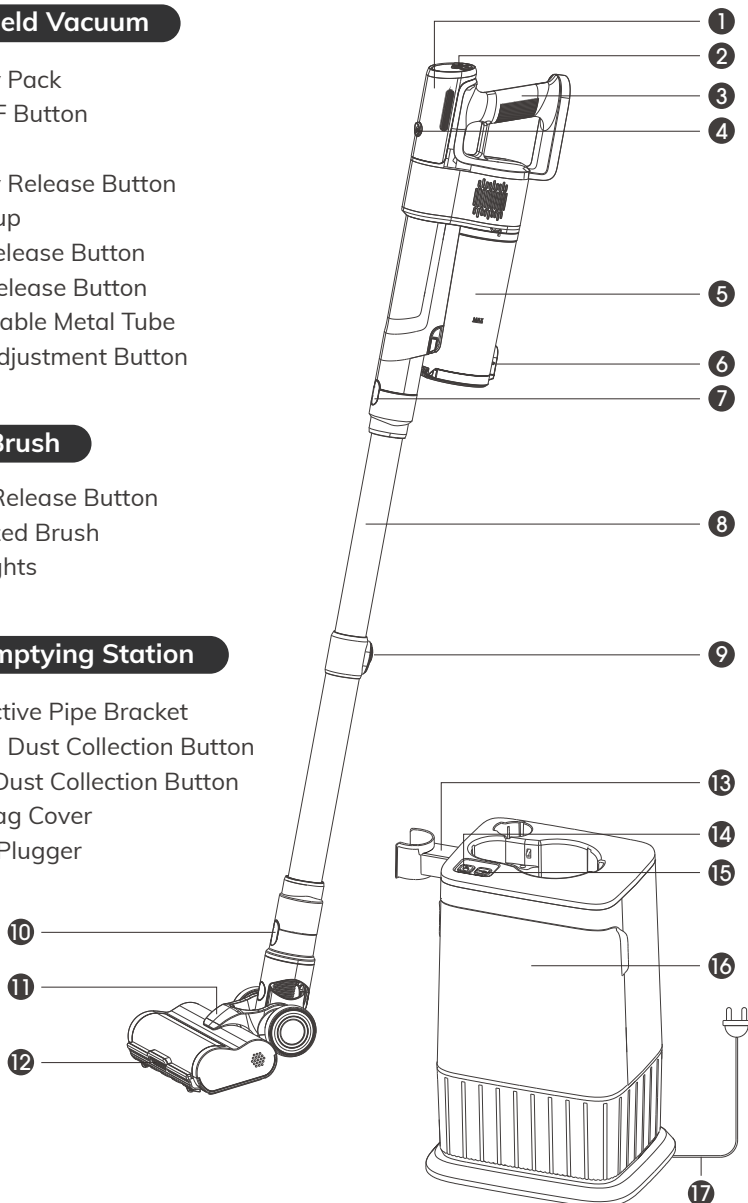
- ① Battery Pack
- ② ON/OFF Button
- ③ Handle
- ④ Battery Release Button
- ⑤ Dust Cup
- ⑥ Dust Release Button
- ⑦ Tube Release Button
- ⑧ Retractable Metal Tube
- ⑨ Tube Adjustment Button

Floor Brush

- ⑩ Brush Release Button
- ⑪ Motorized Brush
- ⑫ LED Lights

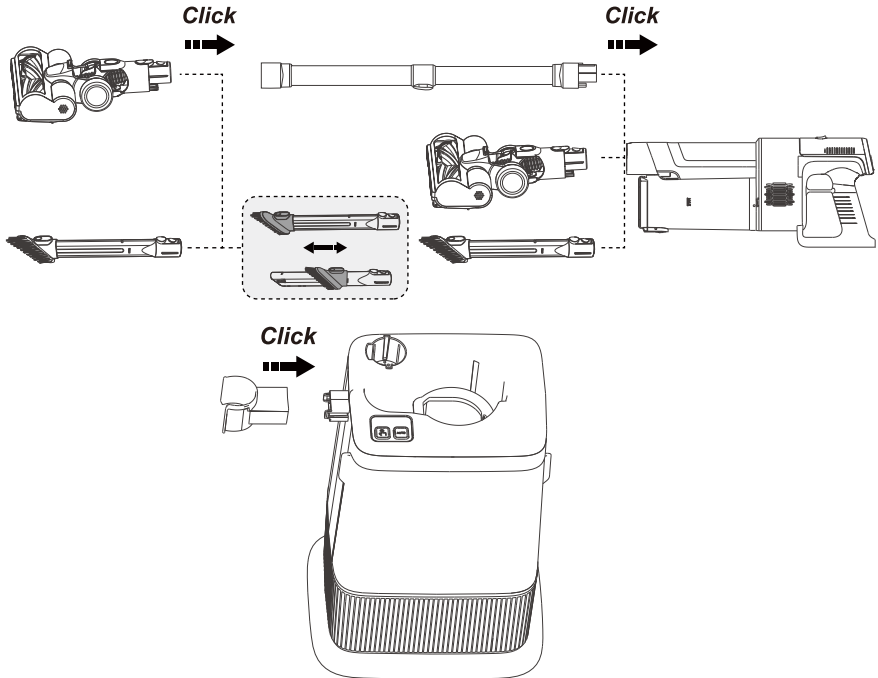
Self-emptying Station

- ⑬ Conductive Pipe Bracket
- ⑭ Manual Dust Collection Button
- ⑮ AUTO Dust Collection Button
- ⑯ Dust Bag Cover
- ⑰ Power Plugger



3.1 Assembly & Installation

- A click will be heard when a component has been securely connected.
- Press the component release button to detach.
- After assembly and charging, the vacuum cleaner is ready for use.

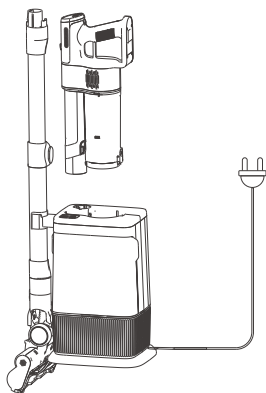


3.2 Charging

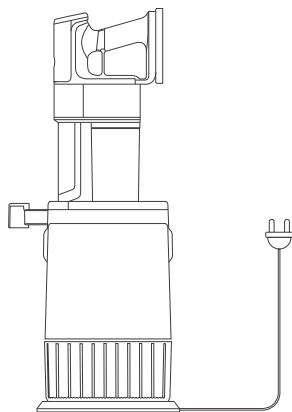
Notes:

1. The product is partially charged before delivery for safety reasons. Please charge in full before attempting to use for the first time.
2. Please note that using a charger other than the one provided together with the product may damage the battery or cause it to overheat.
3. A full charge typically takes 4–5 hours.
4. For safety reasons, the vacuum cleaner cannot be operated while charging.
5. If the product is not used for a long time, please fully charge it, remove the battery, unplug the power cord, and store it in a cool, dry place. Do not place it in direct sunlight or a humid environment. Charge the battery at least once every 3 months to avoid over-discharge.

1



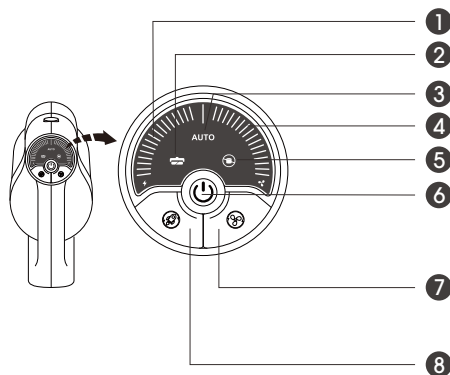
2

**Charging Indicator:**

- The battery indicator light flashes green during charging.
- The indicator stops flashing when it has been fully charged.

3.3 Getting Started**Control Buttons & Indicators**

- 1 Battery Indicator Light
- 2 Brush Roller Jam Indicator
- 3 AUTO Indicator Light
- 4 Speed Mode Indicator
- 5 Suction Clogging Indicator
- 6 ON/OFF Button
- 7 Speed Switch Button
- 8 One-step to Turbo Speed Mode

**Note:**

1. Speed Switch Button: Switches between Eco Mode/ Standard Mode.
2. One-step to Turbo Mode: Automatically switches back to Eco Mode after 15 seconds.

Indicator Alerts

Brush Roller Jam Indicator

- Flashes when the brush roller is blocked.
- The floor brush stops rotating and LED lights turn off.

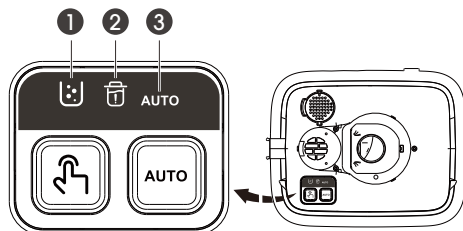
Suction Clogging Indicator

- Flashes when airflow is obstructed.
- Check the suction port, dust cup, and filters.

3.4 Using the Self-emptying Station

Indicator Lights

- 1 Manual Dust Collection Indicator
- 2 Dust Bag Full Indicator
- 3 AUTO Dust Collection Indicator



Important:

- * Install the dust bag before use. The self-emptying station will not operate without a dust bag installed.

Manual Mode

1. Insert the handheld vacuum into the self-emptying station.
2. Press the Manual Dust Collection button.
3. The self-emptying process will start and last for approximately 15–19 seconds.

Note: Use this mode for multiple-time dust collection.

AUTO Mode

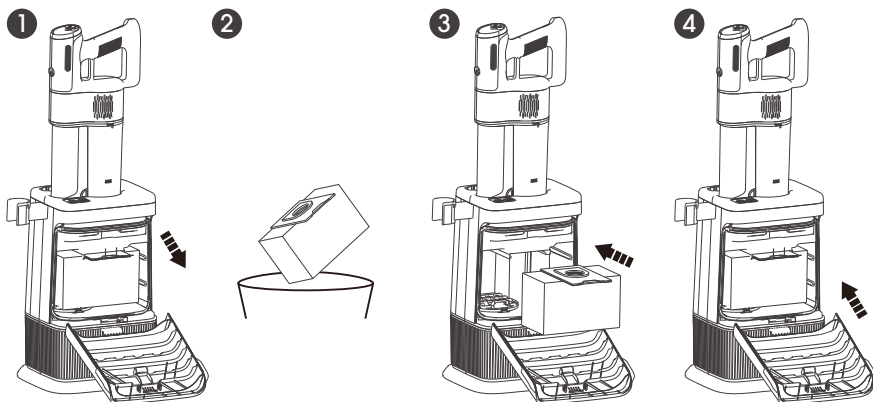
- Press the AUTO button to enable automatic dust collection.
- The self-emptying process will start and last for approximately 15–19 seconds.

Note:

Dust emptying will be triggered immediately each time the vacuum is docked.

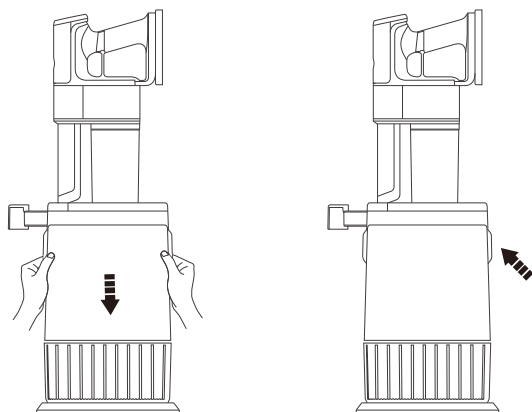
4.1 Replacing the Bag

1. Open the self-emptying station cover.
2. Remove the used dust bag.
3. Insert a new dust bag securely into the slot.
4. Close the self-emptying station cover.



Note:

1. To install the dust bag cover, press down and push into lock.
* Do not push in without pressing down.

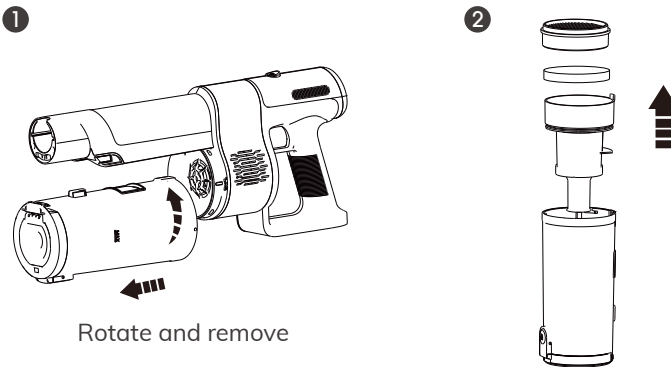


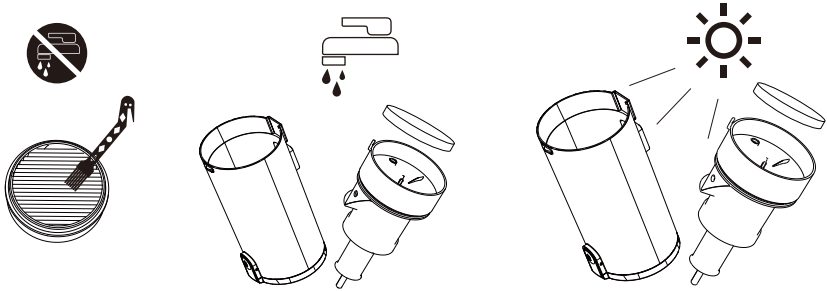
2. The vacuum bag should be replaced as soon as it has been filled up. Remove the used dust bag and dispose of it properly in a trash bin.



4.2 Cleaning the Filter

1. Hold the dust cup, rotate to align with unlock position (illustration 1). Rotate the strainer and remove the filter (illustration 2).
2. Use a cleaning brush to remove dust from the filter.
3. Ensure that all parts are completely dry and reinstalled properly before attempting to use.



**Note:**

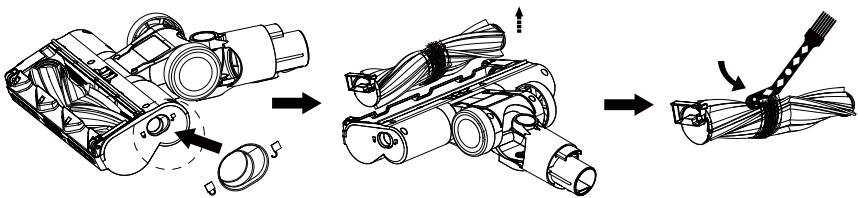
If you notice that suction reduces over time, try to clean the metal strainer with cold water. Do not wash the high performance filter as it may degrade after washing. Replace the filter to obtain the best performance if the suction fades.

4.3 Cleaning the Motorized Brush

- The vacuum will automatically shut down if the brush roller is blocked.
- Battery indicator light will flash.

Steps:

1. Press the lock/unlock button to open the side cover.
2. Remove the roller brush.
3. Clean debris using the 2-in-1 cleaning tool.



5.1 Troubleshooting

Problem	Possible Cause	Possible Solution
Not working	Low battery	Fully charge the battery
	Roller brush blocked	Clean the roller brush
	Dust cup full	Empty the dust cup
Weak suction	Dust cup full	Empty the dust cup
	Filter improperly installed	Reinstall the filter
	Roller tangled	Clean the roller brush
	Low battery	Fully charge the battery
	Air duct blocked	Clean air duct
	High performance filter degrades	Replace the filter
Strange sound from motor	Air duct blocked	Clean air duct
	Dust cup full	Empty the dust cup
	Filter improperly installed	Reinstall the filter
Not charging	Plug not connected properly	Reconnect the plug
	Non-original charger used	Use the original charger

* Please contact the Customer Service for problems that cannot be resolved or that are not listed above.

6.1 FCC Warning

NOTE: This equipment has been tested and found to comply with the limits for a Class B digital device, pursuant to part 15 of the FCC Rules. These limits are designed to provide reasonable protection against harmful interference in a residential installation. This equipment generates, uses and can radiate radio frequency energy and, if not installed and used in accordance with the instructions, may cause harmful interference to radio communications. However, there is no guarantee that interference will not occur in a particular installation. If this equipment does cause harmful interference to radio or television reception, which can be determined by turning the equipment off and on, the user is encouraged to try to correct the interference by one or more of the following measures:

- Reorient or relocate the receiving antenna.
- Increase the separation between the equipment and receiver.
- Connect the equipment into an outlet on a circuit different from that to which the receiver is connected.
- Consult the dealer or an experienced radio/TV technician for help.

