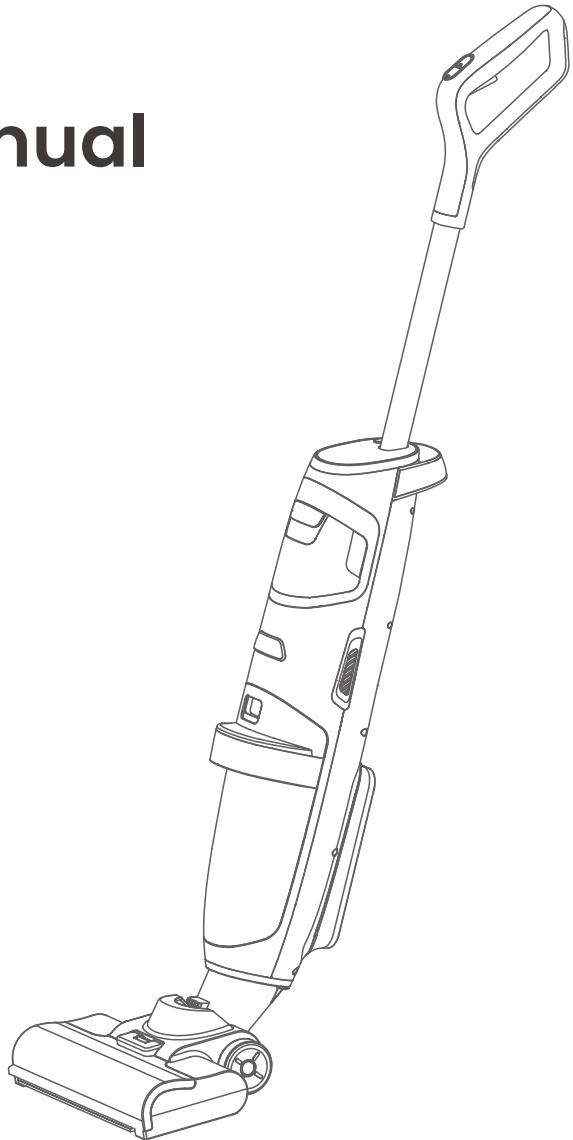


EASINE
by ILIFE

W100

User Manual

Cordless Wet & Dry
Vacuum Cleaner



English

Français

Deutsch

Italiano

Español

Русский

Thank you for choosing EASINE W100 Cordless Wet&Dry Vacuum Cleaner !

You've joined millions of people to get the cleaning done in high efficiency.

This manual helps you to keep your steam mop performing at its best. Please take a few moments to read through it.

You may also connect us on Facebook and Instagram to enjoy exclusive benefits:

- Get model-specific customer support, including Q&A, maintenance tips, demo videos, live chat and more;
- Get the most recent product updates including new product launches, exclusive discounts and special promotions.

You may find us on:

Facebook: [facebook.com/Easine](https://www.facebook.com/Easine)

Twitter: twitter.com/EASINE_Global

If you have any questions, please contact our customer service for assistance or visit www.easine.com for more information.

Enjoy the high-performance cleaning of EASINE W100.

EASINE Innovation

EASINE Customer Service

Russia



89299401228 (Mon-Fri: 9:00 - 18:00)



support-russia@easine.com

Other countries



support-europe@easine.com

Contents

| | |
|---|----|
| 1. Important Safety Instruction | 1 |
| 2. Product Introduction | 3 |
| 2.1 List of Accessories | 3 |
| 2.2 Product layouts | 4 |
| 3. Product Operation | 5 |
| 3.1 Indicator Screen Introduction | 5 |
| 3.2 Assemble and Detach the Device | 5 |
| 3.3 Charging Dock | 7 |
| 3.4 How to use | 8 |
| 4. Maintenance | 9 |
| 4.1 Fill and clean Dirty Water Tank | 9 |
| 4.2 Detach and clean Roller Brush | 9 |
| 4.3 Detach and clean HEPA Filter | 9 |
| 5. Product Technical Parameter | 10 |
| 6. Common Failure Analysis And Treatment | 11 |
| 7. Disposal Information | 12 |

Important Safety Instruction

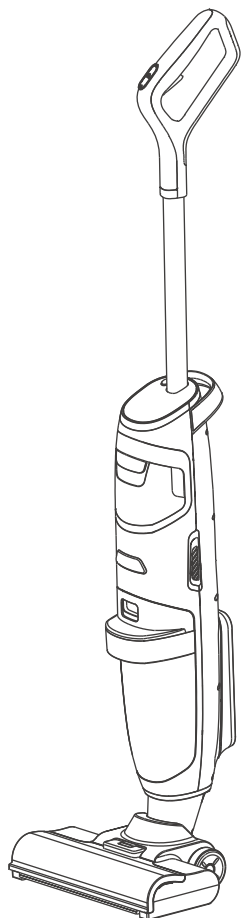
Safety Warnings

1. Product disassembly is strictly prohibited;
2. Before cleaning or maintaining the Product, please unplug the power adapter and turn off the power source;
3. To prevent potential electric shock risk, plz don't touch plug, power adapter or machine monitor when your hand is attached with water ;
4. Please only use the power adapter that comes with the product ,if you use other power adapters, it may damage the machine;
5. If the power adapter is damaged, please stop using it immediately and contact the official after sale team for replacement;
6. The Product is not suitable for people with physical, sensory or mental disabilities or lack of common sense (including children), unless supervised or directed by others to ensure the safe use;
7. During operation, in case of electric leakage of the machine or excessive temperature and abnormal noise of the motor, such as the body overheating, abnormal noise, odor and other problems, please stop the machine immediately, and contact the Official After-sales Team for help;
8. Do not moisten the machine body; otherwise it may cause fire and electric shock due to short circuit;
9. Do not block the air inlet and outlet to avoid overheating of the machine;
10. Do not soak the floor brush with water to avoid overburning of the machine;
11. Do not shake or collide the machine violently to avoid dirty water flowing into the motor;
12. When handling the machine, please keep it upright to avoid sewage flowing into the motor;
13. If the clean water tank and dirty water tank are not installed in place, do not use the machine;
14. Do not use the machine when the current temperature is below -10°C or above 45°C;
15. The Product is only suitable for use in the household environment, not in the industrial environment or outdoor environment;
16. The Product is suitable for the hard floor in the household environment, such as marble floor, wood floor, tile floor, solid wood floor and composite floor;
17. To avoid fire,do not use the Product to clean cigarette butts, matches and other unknown heat sources;

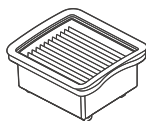
Important Safety Instruction

18. Do not use the Product to clean flammable, explosive or highly volatile liquids, such as gasoline, kerosene, paint and perfume, which may cause short circuit or explosion of the Product;
19. Do not use the Product to clean the toner or color blender used in the laser printer and copier to avoid fire or explosion;
20. Do not use the Product to clean sharp objects, such as glass fragments, thumbtacks, nails, clips, stones and other articles, so as to avoid damage to the Product;
21. Do not use the Product to clean pigment, paint, shoe polish and other strongly dyeing stains;
22. Do not use the Product to clean foam liquid to avoid damage to the motor;
23. Keep the cleaning solution out of the reach of children;
24. Please follow the instructions to use the cleaning solution;
25. Do not add alcohol to the clean water containers.

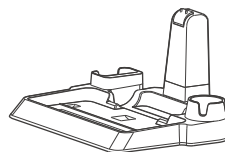
List of accessories



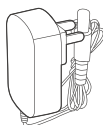
Main Body x 1



HEPA Filter x 1



Docking Station x 1



Power Adapter x 1



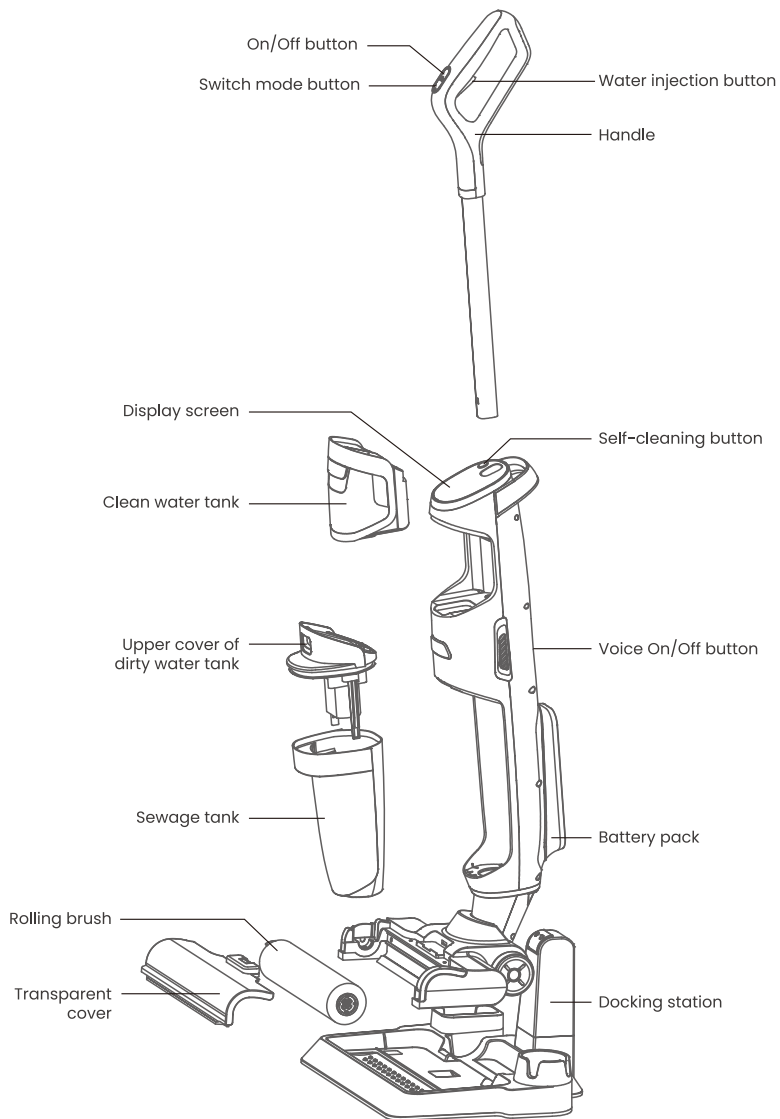
Cleaning Tool



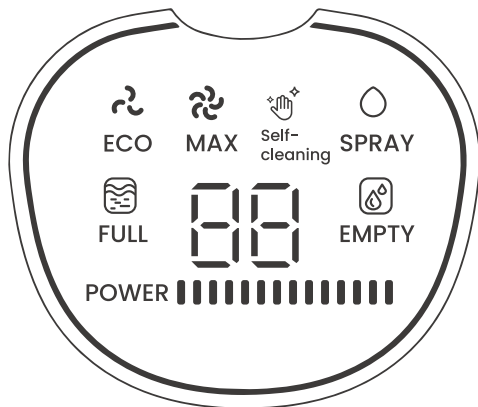
Ground cleaning solution

Product Introduction

Product Description

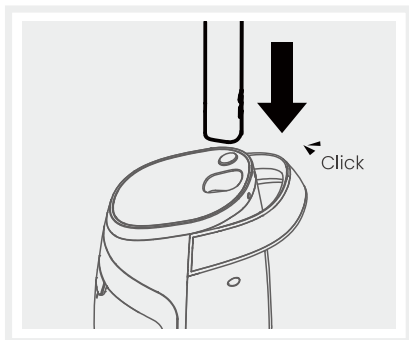


Indicator Screen Introduction

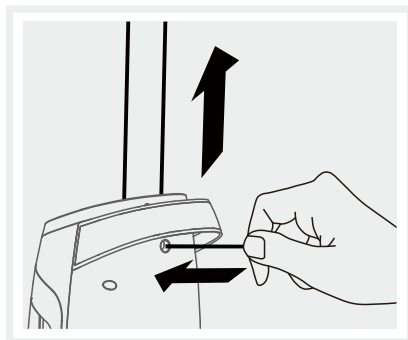


Assemble and Detach the Device

1 Disassembly and assembly of handle



Assembly:
Insert the connecting pipe of handle into the machine body assembly port, and the "click" sound means the completion of assembly.



Disassembly:
Use a screwdriver or other tool of the right size to insert the hole in the upper back of the machine body and press it, while lifting the handle upward.

Product Operation

2 Assembly of clean water tank

Open the cover of clean water tank as shown in Fig. 2.1 and fill it with clean water as shown in Fig. 2.2; install the clean water tank as shown in Fig. 2.3, and the "click" sound means the completion of assembly.



Fig. 2.1



Fig. 2.2

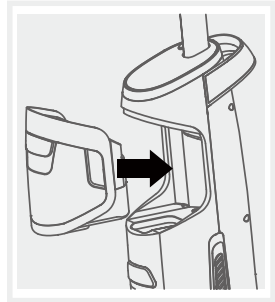


Fig. 2.3

3 Assembly of dirty water tank

As shown in Fig. 3.1, put the bottom of dirty water tank at the opening of the machine body and gently push it inward, and the "click" sound means the completion of assembly.



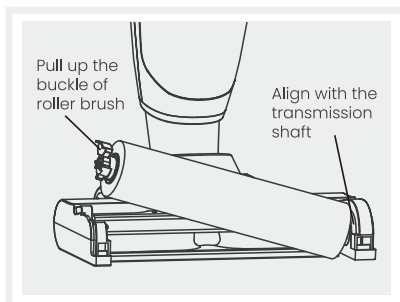
Fig. 3.1



Fig. 3.2

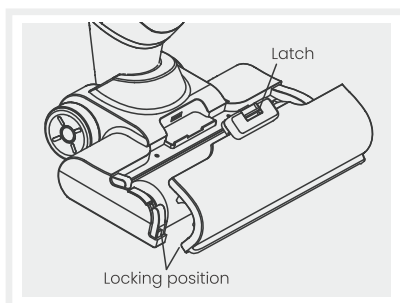
4 Assembly of roller brush

As shown in the figure below, align the groove on the right side of the rolling brush with the transmission shaft, and then press down the left side of the rolling brush until it is assembled in place.



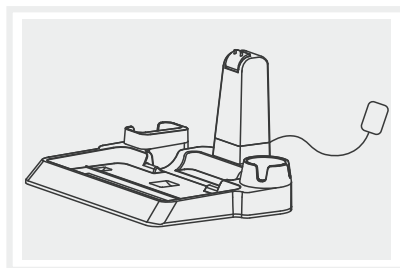
5 Assembly of transparent window of roller brush

As shown in the figure below, lock the buckle under the transparent window cover of rolling brush, then lock the latch to the ground brush, and the "click" sound means the completion of assembly.



Charging Dock

Plug the adapter charging port into the corresponding position of the docking station, and connect the adapter head to the household socket.

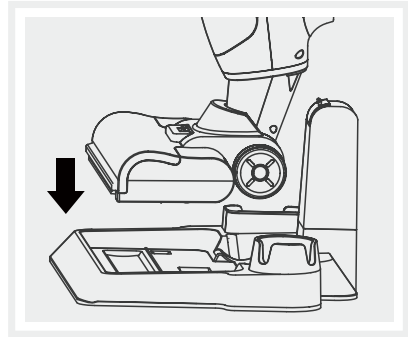


Product Operation

How to use

1 Charging

As shown in the figure below, align the machine with the charging base; the charging will begin when the battery contact properly connects with the charging base contact.



2 Self-cleaning

When the machine is charging on the docking station, press the self-cleaning button to enter the self-cleaning mode. (Please make sure there is water in the clean water tank during operation).

3 Operation

Tilt the machine body to an appropriate angle and press the On/Off button to start the machine.

! Note:

- During operation, in case of a lot of foam in the dirty water tank, please clean up the dirt in the tank in time to prevent water from entering the fan.
- Do not push and pull quickly during operation to prevent water from entering the fan.
- During operation, please observe the dirt in the dirty water tank to avoid blocking of the float with suspended matter and impact on the full water detection.
- Please turn off the power of the machine before charging.

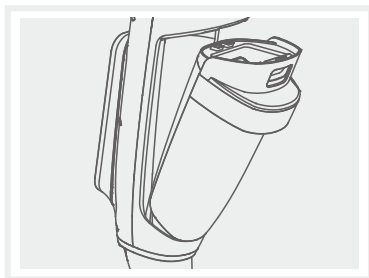
⚠ Attention!

Remove the plug from the socket and turn off the power of the machine before routine maintenance.

Fill and clean Dirty Water Tank

Clean the dirty water tank and upper cover immediately after use to avoid stinky smell.

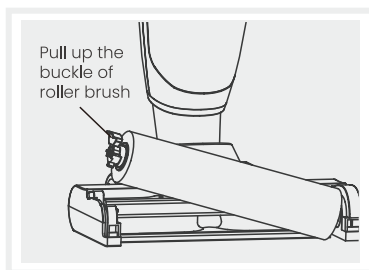
Hold the notch of clean water tank by hand, press the latch with your thumb and pull the sewage tank out gently.



Detach and clean Roller Brush

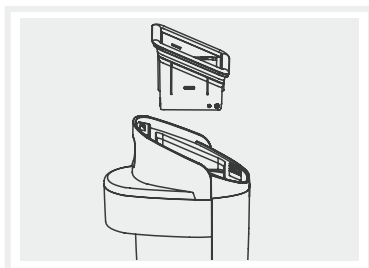
After cleaning, enter self-cleaning mode of the machine.

If the roller brush is too dirty, take out the roller brush according to the figure below and clean it by yourself.



Detach and clean HEPA Filter

Remove the HEPA Filter of the dirty water tank according to the figure below, and place it at the vent to dry after cleaning.



Product Technical Parameter

| Item | Cordless Wet&Dry Vacuum Cleaner |
|------------------------------|---------------------------------|
| Model | W100 |
| Net weight | ~4.2kg |
| Capacity of clean water tank | 0.6L |
| Capacity of dirty water tank | 0.5L |
| Size | 1170 X 280 X 250mm |
| Rated voltage | DC 21.6V |
| Rated power | 150W |
| Battery capacity | 3000mAh |
| Noise | ~75dB |
| Adapter input | 100~240V~50/60Hz 0.8A max |
| Adapter output | DC 27V 800mA |
| Charging duration | ~4h |
| Battery usage | ~30min for standard gear |
| | ~25min for strong gear |

Fault Code List

| Fault Code | Causes | Solutions |
|------------|---|---|
| E1 | Battery wire is broken | Replace the battery pack |
| E2 | Voltage of the rechargeable battery is too low | Replace the battery pack |
| E3 | Differential voltage of the rechargeable battery is too large | Replace the battery pack |
| E4 | Temperature control of the battery pack is abnormal | Replace the battery pack |
| E5 | High temperature during discharging | Temperature of the battery pack is high, use the battery pack after its temperature cools down |
| E6 | High temperature during charging | Temperature of the battery pack is high, charge the battery pack after its temperature cools down |
| E7 | Low temperature during charging | Please charge the machine at ambient temperature >5°C |
| F1 | Overcurrent during charging | Please confirm whether the charger is original from the machine packing |
| F2 | Short-circuit protection | Please contact Customer Service Department |
| F3 | Overcurrent during working | Please contact Customer Service Department |
| F4 | Overcurrent of ground brush during discharging | Check whether there is any foreign matter to be cleaned on the rolling brush. If the fault still exists, please contact Customer Service Department |
| F6 | No dirty water tank is installed | Install the dirty water tank before use |

Disposal Information

Disposal

The battery used with this device must not be disposed of in household waste. The device and the battery must be disposed of properly. The housing of the battery must never be opened, and must be disposed of as a whole.



This product is subject to the provisions of European Directive 2019/19/EC. The symbol showing a wheeled bin crossed through indicates that the product requires separate refuse collection in the European Union, This applies to the product and all accessories marked with this symbol.



Products identified with this symbol may not be discarded with normal household waste, but must be taken to a collection point for recycling electric and electronic appliances.



Packaging

When disposing of the packaging, make sure you comply with the environmental regulations applicable in your country.

Distributor: Zhiyi (Zhongshan) Technology Co., Ltd.

No. 39, Donghui Road, Cuiheng New District, 528400 Zhongshan, Guangdong,
PEOPLE'S REPUBLIC OF CHINA

● EASINE Customer Service

Russia

 **89299401228** (Mon-Fri: 9:00 - 18:00)

 support-russia@easine.com

Other countries

 support-europe@easine.com