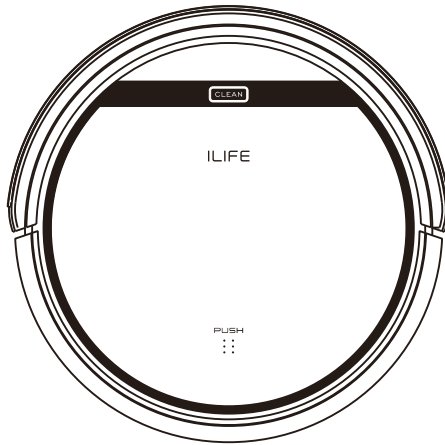


ILIFE

# User Manual

Robotic vacuum cleaner

Model: V3s Pro



English

Français

Español

[www.iliferobot.com](http://www.iliferobot.com)



Dear Customer,

Thank you for purchasing ILIFE V3s Pro robot vacuum cleaner! You have joined the millions of people who clean with robots - the smarter way to get it done.

Please take a few moments to read this manual and get acquainted with your robot, to get the best performance from your robot. If you have any problem when you use it, please don't worry, you are supposed to contact our customer service firstly, we will support you during this process.

## **ILIFE Customer Service**

Customer Service Number:

1-800-631-9676 (Toll free for USA & Canada)

Email: [support@iliferobot.com](mailto:support@iliferobot.com)

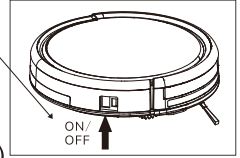
---

## Important Tips

---

### How to use

- Before using the robot, please ensure the power switch is on. Take a few moments to survey the area to be cleaned and remove any obstacles.
- The robot will pass over the same area of the floor multiple times to ensure thoroughly clean.
- The spinning brushes may flick small granule (dog food, cat litter) here and there, but finally the robot will vacuum them all in.
- Before replacing side brushes, check and match “L” “R” mark on both side brush and bottom of robot.
- When you set the clock time or schedule, the final operation will be confirmed by beep from robot. If no tone received, your setting is unsuccessful.
- Empty the dustbin. You could notice the robot vacuum less, even spits out. when the dustbin is full, though there is no any warning beep sound.



### For Best Performance

- Empty V3s Pro's dustbin and clean its filter after every use.
- Filter could not be washed by water.
- Replace new Filter when you notice V3s Pro vacuum gets weaker and pick up less than before.
- Put charging dock against the wall and remove obstacles about 1 meter at two sides and about 2 meters forward.
- Fully charge robot's battery before each cleaning cycle.

### Battery Life

To extend V3s Pro's battery life and keep its cleaning at peak performance:

- Charge the robot overnight before first time use.
- If the robot is not used for a long time, please turn off the power switch.
- Recharge the robot as soon as possible. Waiting several days to recharge may damage the battery.
- Use the robot frequently.

**Warning:** The product contains electronic parts. DO NOT submerge V3s Pro or spray it with water, clean with a dry cloth only.



---

# Table of Contents

---

- Safety Instructions** ..... 1
- Product Parts** ..... 2
  - Main body and accessories ..... 2
  - Robot anatomy ..... 3
  - Charging dock and Remote control ..... 4
  - CLEAN button status ..... 5
  - Remote control operating ..... 6
- Product Operating** ..... 7
  - How to get started ..... 7
  - Starting up/Pause/Sleeping ..... 8
  - Scheduling ..... 8
  - Cleaning mode ..... 9
- Product Maintaining** .....10
  - Cleaning side brushes .....10
  - Cleaning dustbin and filters .....10
  - Cleaning sensors .....10
  - Front wheel cleanup .....11
- Trouble Shooting** .....12
  - Error code sheet .....12
  - Errors appearance .....13
- Product Specifications** .....14

---

# Safety Instructions

---

**Before using this product, please read the following safety instructions and follow all normal safety precautions.**

- Before using this product, ensure the power switch is ON.
- If the product is not used for long time, please turn off the switch on the right side of the main body.

## WARNING

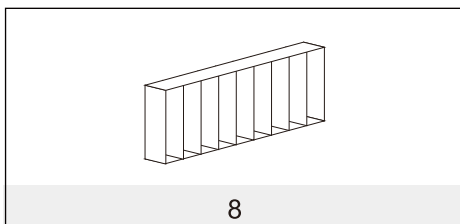
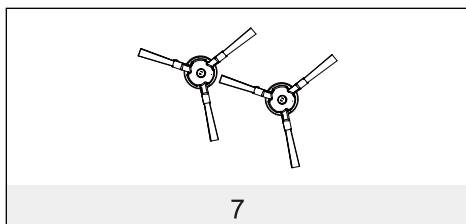
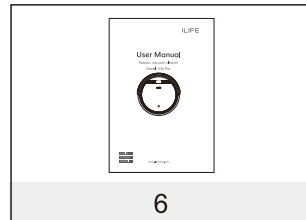
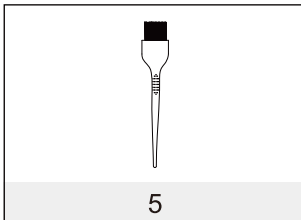
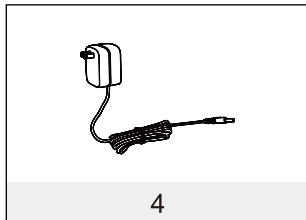
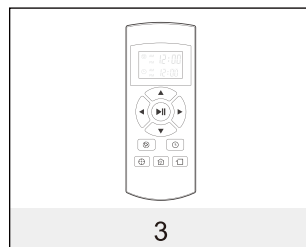
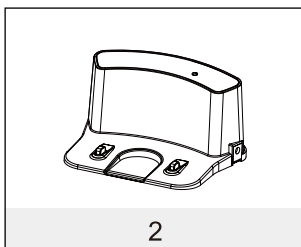
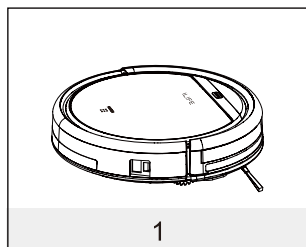
1. Only the certified technician may disassemble the product. Users are not allowed to disassemble or repair the product.
2. Only use the adapter provided by the factory. Using other un-matched adapter may cause electric shock, fire or product damage.
3. Do not touch the power cord, plug or adapter when your hands are wet.
4. Do not make clothes or part of a body drawn into the product's wheels.
5. Do not make this product close to cigarette, lighter, match or any flammables.
6. If the product is needed to clean, clean it after charging is stopped.
7. Do not over-bend the power cord or pressure the power cord with heavy or sharp objects.
8. This product is used only indoors, do not use it outdoors.
9. Do not sit on top of this product or attach an object on the top of it.
10. Do not use this product in wet or moist environment (any environment with liquid)
11. Before use, collect the floor environment (remove all the fragile objects and cords, clothings papers and drapes .etc that may get caught in the product).
12. Do not place this product where it is easy to drop off (tables, chairs, etc).
13. Turn off the power switch when you don't need to use this product for a long time.
14. Before use, check whether adapter and outlet are properly connected.
15. To avoid tipping, inform all the people in the house when this product is working.
16. The product may not be able to pass through steps over 10mm.
17. Use this product in temperature from -10° to 40°(centigrade degree)and do not place this product in high-temperature environment.
18. The battery must be removed from the product before it is scrapped.
19. The product must be disconnected from the supply mains when removing the battery.
20. The battery is to be disposed of safety.

**NOTE:Please ensure there is people's instruct when children, disabled/mentally challenged person use it.**

# Product Parts

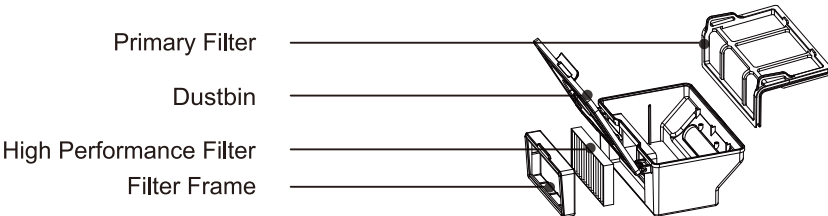
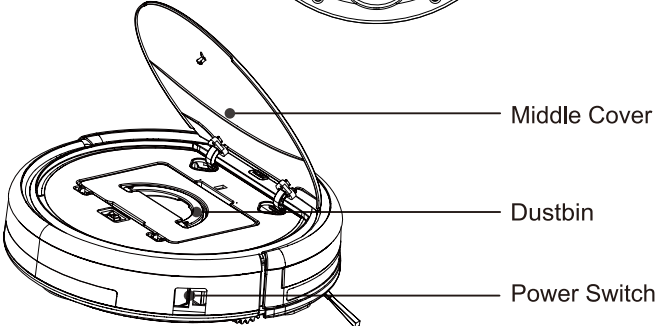
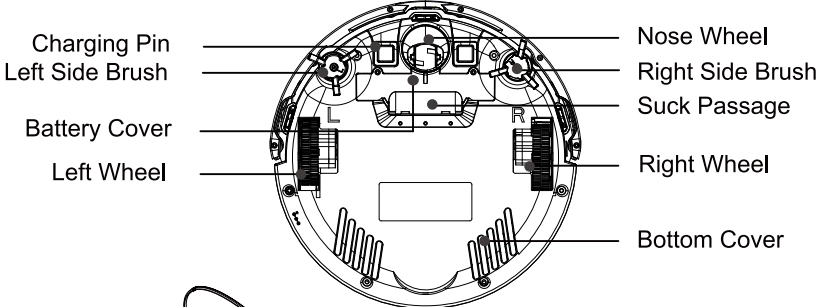
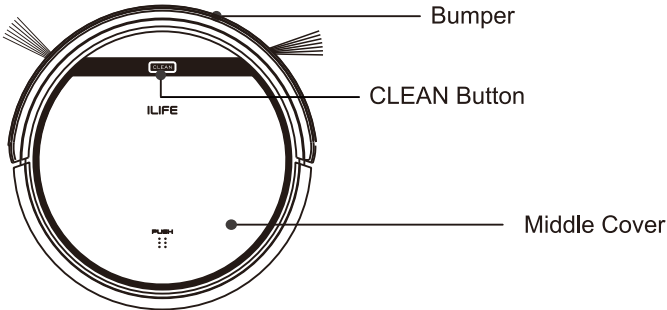
## Main body and accessories

NO.	Description	Q'ty
1	Main Body	1
2	Charging Dock	1
3	Remote Control(battery not included)	1
4	Adapter	1
5	Cleaning Tool	1
6	User Manual	1
7	Extra Side Brushes	2
8	High Performance Filter	2



# Product Parts

## Robot anatomy

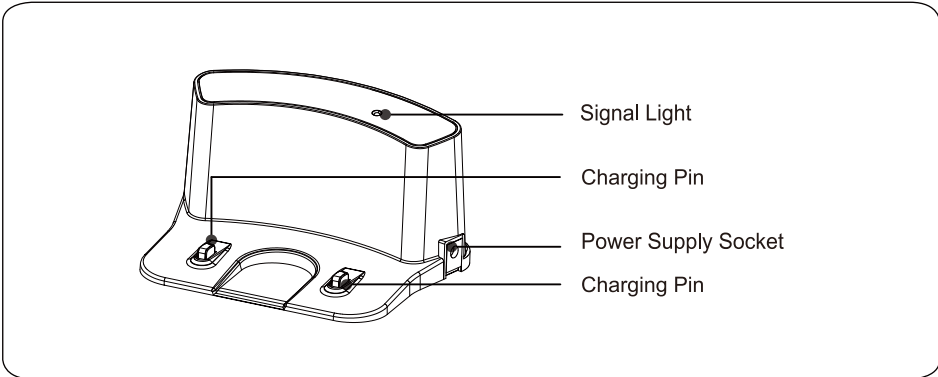


---

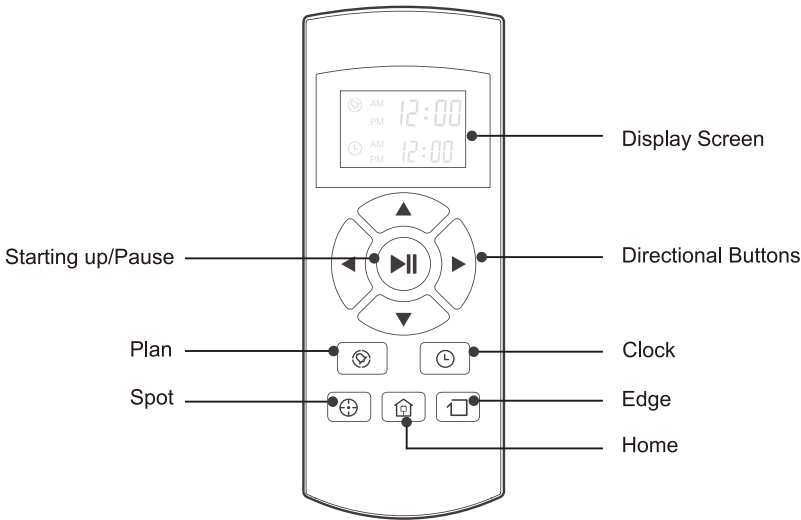
# Product Parts

---

## Charging dock



## Remote control



---

## Product Parts

---

### CLEAN button status

Robot status	Lights Status
Charging	All lights flash gradually
Charging finished	All lights turn off
In selected mode	All lights flash slowly
When robot in error	All lights flash
Low battery	Middle lights flash
In home mode	Middle lights flash slowly
In cleaning mode	Middle lights turn solid
In edge mode	Middle lights turn solid, lower lights flash
In spot mode	Middle lights turn solid, upper lights flash

---

# Product Parts

---

## Remote control operating

### 1. “▶||” Starting up/Pause

- Press this button to start cleaning in selected mode
- Press this button to make the robot stop when it's cleaning.
- Press this button to exchange from sleeping mode to selected mode.

### 2. Directional Buttons

#### A. “▲” button:

- Press this button to increase number in scheduling or clock mode;
- Press this button to make robot move forward in selected mode and the robot will stop when it hits any objects.

#### B. “▼” button:

- Press this button to decrease number in scheduling or clock mode.
- Press to make robot move backward for little step in selected mode.

#### C. “◀” button:

- Press this button to exchange from minute to hour in scheduling or clock mode;
- Press this button to make robot turn left.

#### D. “▶” button:

- Press this button to exchange from hour to minute in scheduling or clock mode;
- Press this button to make robot turn right.

### 3. “⊗” Plan

- Press this button to enter scheduling mode when in selected mode.
- Press this button to confirm scheduling in scheduling mode.

### 4. “⌚” Clock

- Press this button to enter clock mode when in selected mode.
- Press this button to confirm clock setting in clock mode.

### 5. “🏠” Home

Press this button to return robot to charging dock.

### 6. “□” Edge

Press this button to make robot clean along wall.

### 7. “⊕” Spot

Press this button to make robot start spot cleaning.

### 8. Shows the scheduling time.

### 9. Shows the clock time.

## Note:

1. Install two AAA type batteries into the remote control.
2. Take out the batteries if the remote control is not used for long time.

---

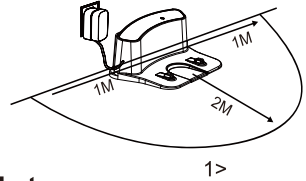
# Product Operating

---

## 1. How to get started

### 1>. Place charging dock, plug in adapter, signal light on charging dock will turn solid.

Note: Put charging dock against the wall and remove obstacles about 1 meter at two sides and about 2 meters forward.



### 2>. Turn on the Power Switch around power socket, then display panel will flash.

(If no command received, the robot will turn to sleeping mode after 15 seconds.)

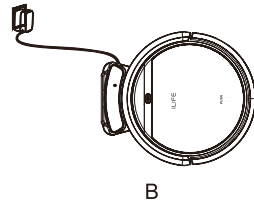
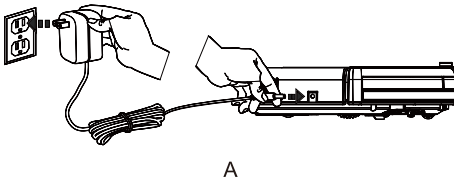
Note: A. Please always keep the power switch turning on, If not, it is unable to make the robot work.  
B. If power switch is turned off, all the scheduling will be lost.

**Caution: Before charge the robot, please make sure the power switch is turned on, or else the robot can not be charged.**

### 3>. Charge the robot in either way as shown below:

A. Plug into an outlet.

B. Press HOME to make robot return to charging dock for charging itself.



For better extending battery life:

- Before first use, charge the robot overnight. When charging is finished, display panel will turn off.
- In normal use, always store the robot on charging dock with base plugged in.
- If the robot is not used for long time, turn the power switch off, fully charge the robot and store it in a cool, dry place.

### 4>. Auto charging

The robot will automatically return to charging dock when battery is low.



---

# Product Operating

---

## 2. Starting up/Pause/Sleeping

Sleeping mode: Robot is not working, lights around CLEAN button are off and power switch is on;

Selected mode: Robot is not working, lights around CLEAN button flash;

Cleaning mode: Robot is working, lights around CLEAN button are on.

### 1>. Starting up

A. Make sure the power switch is on;

B. Press CLEAN button on main body or on remote control to start cleaning.

Note: If robot is in sleeping mode, press CLEAN button to wake the robot up from sleeping mode.

Then press CLEAN for a second time, the robot starts cleaning automatically.

### 2>. Pause

Press CLEAN button on main body or on remote control to exchange robot from cleaning mode to selected mode.

Note: When robot is paused, press CLEAN to make robot to re-start cleaning.

### 3>. Sleeping

To turn robot into sleeping mode from selected mode:

A. Keep pressing CLEAN on main body for 3 seconds.

B. Robot will automatically enter sleeping mode if no command received for 15 seconds.

## 3. Scheduling

You can schedule to let the robot start cleaning from a certain time.

Note: Remember to set the clock time and schedule once replace the remote control battery.

Once the clock time is set, any scheduling you have set will make robot work on the scheduled time.

### Setting the clock time

1. Point the remote control towards the robot (ensure the power switch is on).

2. Press CLOCK and then use directional buttons to set the correct time.

3. Press CLOCK to save the setting. To cancel the schedule, Please turn off the robot.

### Setting a schedule

The robot will always work at the scheduled time unless power switch of the robot is turned off.

1. Point the remote towards the robot.

2. Press PLAN and then use directional buttons to set the schedule.

3. Press PLAN to save the setting. To cancel the schedule, Please turn off the robot.

Note:

When you set the clock time or schedule, the final operation will be confirmed by beep from robot;

If no tone received, your setting is unsuccessful.

---

# Product Operating

---

## 4. Cleaning mode

### 1>. Auto cleaning

The robot will clean a room automatically and adjust its cleaning according to the situation.

Note:

Press CLEAN button on robot or on remote control to start auto cleaning.

### 2>. Spot cleaning

A.Press Spot on the remote toward the robot when the robot is working. The robot will circle around and turn into Auto Clean mode after Spot clean is finished.

B.Press Spot on the remote toward the robot when the robot is in selected mode and the robot will begin to circle around. The robot will turn into selected mode after Spot Clean is finished.

### 3>. Edge cleaning

Put the robot near the edge (wall) and press EDGE on remote control to start edge cleaning.

Note:

Edge cleaning will automatically stop when robot could not detect any edges, or you could manually press CLEAN to stop edge cleaning.

---

# Product Maintaining

---

## 1. Cleaning side brushes

Clean the side brushes when it gets dirty and replace if it's damaged.

Note: Before replacing side brushes, check and match "L" "R" mark on both side brush and bottom of robot.

## 2. Cleaning dustbin and filter

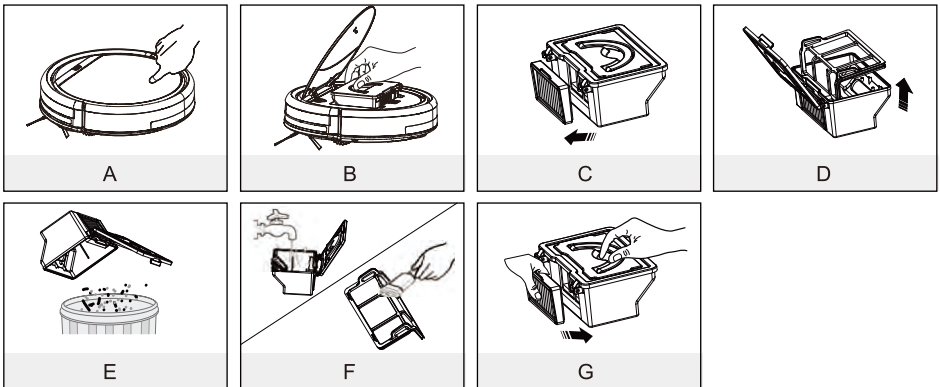
Clean and empty dustbin after each use, steps are as shown in below figures.

Note:

After taking out dustbin, check whether there is foreign matter stuck in suck passage and clean it. Clean Filter after 15-30 days' use. And replace it after use for 6 months at maximum.

Install both Filter and primary filters when they are dry.

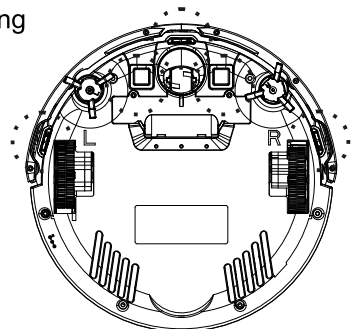
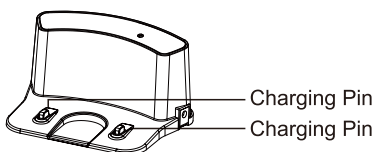
Filter and primary filter could be replaced if needed.



## 3. Cleaning cliff sensors and auto charging pins.

Slightly clean the sensor window and auto charging pins with a soft dry cloth.

Note: Charging pints on charging dock need to clean if dirty.



---

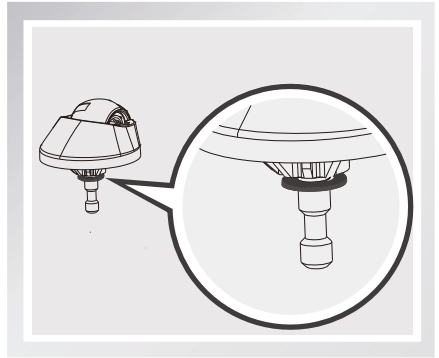
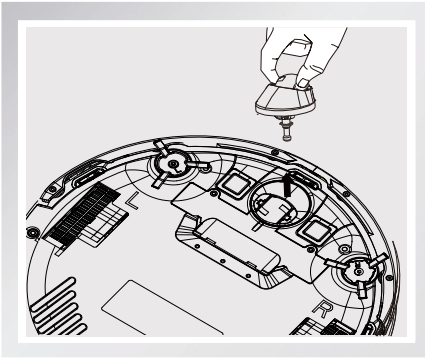
# Product Maintaining

---

## 4. Front wheel cleanup

When there is foreign matter in front wheel, it will affect the cleaning performance, please clean it follow the way below:

- (1) Pull the wheel up vertically and clean it. Please note whether the gasket is off.
- (2) It should be noted that whether the gasket is installed well after clean the front wheel.



---

# Trouble Shooting

---

## 1. Error code sheet

When the robot meets with some routine troubles, it will remind you by beep.

- Short tone

NO.	Tone	Cause	Solution
01	●	Wheels or side brushes no work	Check wheels or side brushes
02	● ●	Cliff sensor or bumper sensor failure	Clean cliff sensor and shake bumper slightly, check whether there is foreign matter
03	● ● ●	Main body gets stuck	Move main body and start again

Note: If all above solutions don't work, please take below actions.

1. Re-set the robot by re-turning on the power switch.
2. If re-set action doesn't work, please send the robot to seller for repairing.

---

# Trouble Shooting

---

## 2. Errors appearance

<b>Errors appearance</b>	<b>Likely Cause</b>	<b>Solution</b>
Circling in place	V3s Pro robot's side wheel is stuck	Clean V3s Pro robot's side wheels of hair and debris. Push them in and out and confirm that they both turn freely. Start V3s Pro robot in a new location.
Keep moving back	A cliff sensor is dirty or broken.	Inspect and clean V3s Pro robot's cliff sensors.
Bump the obstacle continuously	The bumper is compressed	Briskly tap V3s Pro robot's bumper 10-20 times to dislodge any debris that may be trapped under the bumper or loosen the screw of the bumper.
Short working time	The battery storage capacity weakens. No charging fully.	Replace the battery. Recharge the robot.
"Cleaning" light is off when charging	Something like pet hair filled in the socket of the charger. The robot's battery is not connected	Clean the socket, check the connection between charger and battery.
Vacuum dirt, debris less	Filter is dirty or wet by water.	Clean Filter or change the Filter
Spit out litter	The dustbin is full.	Empty the dustbin.
The robot will not clean automatically at scheduled time.	The setting for Time Scheduling isn't saved. Time Scheduling function is cancelled when you re-start the robot. The robot is powered OFF. The robot's battery is low. The robot's components are tangled with debris.	Reset Time Scheduling function, remember the final confirmation Power ON the robot. Keep the robot powered ON and on the Charging Dock to make sure it has a full battery to work at any time. Power OFF the robot, clean the Dustbin and invert the robot. Clean Side Brushes and the Main Brush.

## Product Specifications

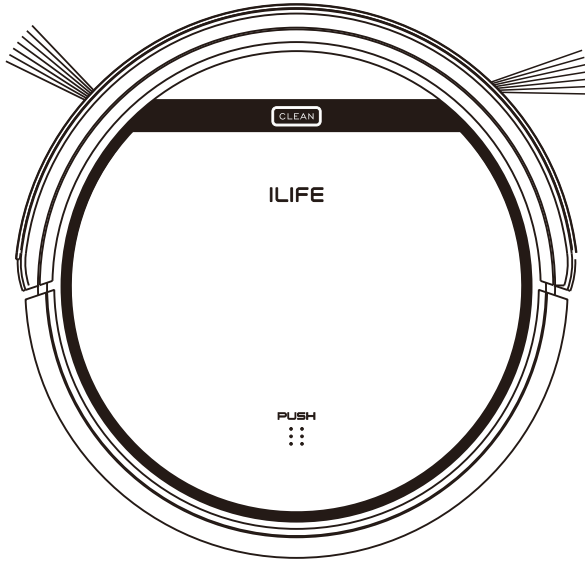
Classification	Item	Detail
Mechanical Specifications	Diameter	300mm
	Height	81mm
	Weight	2.2kg
Electrical Specifications	Power	22W
	Battery specifications	Li-ion
Cleaning Specifications	Dustbin capacity	0.3L
	Charging type	Auto Charging / Manual Charging
	Cleaning mode	Auto, Spot, Edge, Daily Schedule
	Charging time	< 300 mins
	Cleaning time	About 90 mins
Main Body Button Type		Touch button

Remark: The storage temperature of this product is -10 to 40 °C.





ILIFE



Robot aspirateur

# Manuel de l'utilisateur

Français



Cher client,  
Merci d'avoir acheté le robot aspirateur  
ILIFE V3s Pro ! Vous avez rejoint les millions  
de personnes qui nettoient avec des robots - la  
méthode intelligente de le faire.  
Prenez un moment pour lire ce manuel et vous  
familiariser avec votre robot, afin d'en obtenir  
les meilleures performances.  
Si vous rencontrez des problèmes lors de son  
utilisation, ne vous inquiétez pas, contactez le  
service client en premier lieu, nous vous  
assisterons lors de ce processus.

## **Service Client ILIFE**

Numéro du Service Client:

1-800-631-9676(Gratuit pour États-Unis,Canada)

Mail:[support@iliferobot.com](mailto:support@iliferobot.com)

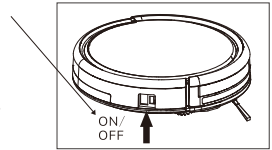
---

# Conseils importants

---

## Utilisation

- Avant d'utiliser le robot, assurez-vous que l'interrupteur soit allumé. Prenez un moment pour examiner la surface à nettoyer et enlevez les obstacles.
- Le robot passera sur la même surface du sol de nombreuses fois pour garantir un nettoyage complet.
- Les brosses rotatives peuvent projeter de petites particules (croquettes pour chiens, litière pour chats), mais le robot finira par tout aspirer.
- Avant de remplacer les brosses latérales, vérifiez et alignez les marques « L » et « R » sur les brosses latérales et le bas du robot.
- Lorsque vous réglez l'horloge ou le programme, l'opération finale sera confirmée par un bip émis par le robot. L'absence de bip signifie que votre réglage n'a pas réussi.
- Videz le sac à poussière. Le robot est susceptible d'aspirer moins, voire de refouler lorsque le sac à poussière est plein, même si aucun signal sonore n'est émis.



## Pour des performances optimales

- Videz le sac à poussière du V3s Pro et nettoyez le filtre après chaque utilisation.
- Le Filtre ne peut pas être nettoyé à l'eau.
- Remplacez le Filtre lorsque vous voyez que le V3s Pro aspire moins bien qu'auparavant.
- Mettez la base de recharge contre le mur et enlevez les obstacles sur 1 mètre sur deux côtés et sur 2 mètres devant.
- Chargez la batterie du robot complètement avant chaque cycle de nettoyage.

## Durée de vie de la batterie

- Afin de prolonger la durée de vie de la batterie du V3s Pro et de le maintenir à son niveau de performances optimales :
- Chargez le robot toute la nuit avant la première utilisation.
- Si le robot n'est pas utilisé pendant une longue période, éteignez l'interrupteur.
- Rechargez le robot dès que possible. Attendre plusieurs jours pour le recharger peut endommager la batterie.
- Utilisez le robot fréquemment.

**Avertissement :** Le produit comporte des pièces électroniques. NE plongez PAS le V3s Pro dans l'eau et ne l'éclaboussez pas, nettoyez-le avec un chiffon sec uniquement.

---

# Table des matières

---

<b>Instructions de sécurité</b> .....	1
<b>Pièces du produit</b> .....	2
Corps principal et accessoires .....	2
Anatomie du robot .....	3
Base de recharge .....	4
Télécommande .....	4
État du bouton NETTOYER .....	5
Fonctionnement de la télécommande .....	6
<b>Fonctionnement du produit</b> .....	7
Pour démarrer .....	7
Mise en marche/Pause/Sommeil .....	8
Programmation .....	9
Mode nettoyage .....	10
<b>Entretien du produit</b> .....	11
Nettoyage des brosses latérales .....	11
Nettoyage du sac à poussière et du filtre .....	11
Nettoyage des capteurs d'évitement et des broches de recharge automatique .....	11
Nettoyage de la Roue Avant .....	12
<b>Dépannage</b> .....	13
Liste des codes d'erreur .....	13
Syptômes de défauts .....	14
<b>Spécifications du produit</b> .....	15

---

# Instructions de sécurité

---

**Avant d'utiliser ce produit, lisez les instructions de sécurité suivantes et suivez toutes les précautions de sécurité normale.**

- Avant d'utiliser ce produit, assurez-vous que l'interrupteur soit allumé.
- Si le produit n'est pas utilisé pendant une longue période, éteignez l'interrupteur sur le côté droit du corps principal.

## AVERTISSEMENT

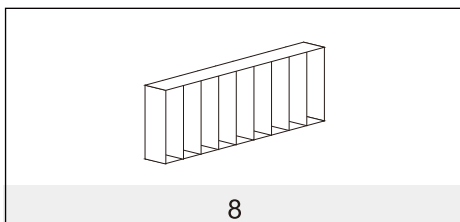
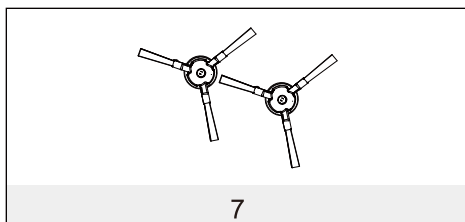
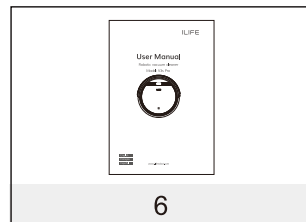
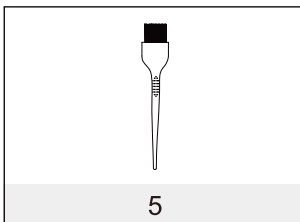
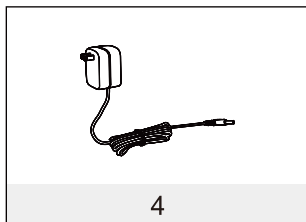
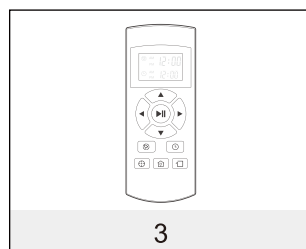
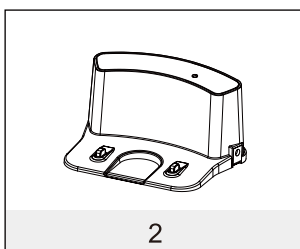
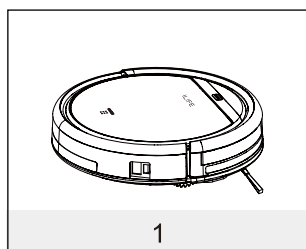
1. Seul un technicien certifié peut démonter le produit. Les utilisateurs ne doivent pas démonter ou réparer le produit.
2. Utilisez uniquement l'adaptateur fourni par le fabricant. L'utilisation d'un adaptateur différent peut causer un choc électrique, un incendie ou endommager le produit.
3. Ne touchez pas le cordon d'alimentation, la prise ou l'adaptateur avec les mains mouillées.
4. Évitez que des vêtements ou des parties du corps ne passent dans les roues du produit.
5. Ne mettez pas ce produit à côté de cigarettes, d'un briquet, d'allumettes ou de toute matière inflammable.
6. Si le produit doit être nettoyé, nettoyez-le après avoir arrêté la charge.
7. Ne pliez pas le cordon d'alimentation à l'excès et ne posez pas d'objets lourds ou coupants sur le cordon d'alimentation.
8. Ce produit s'utilise uniquement à l'intérieur, ne l'utilisez pas à l'extérieur.
9. Ne vous asseyez pas sur ce produit et n'attachez aucun objet sur lui.
10. N'utilisez pas ce produit dans un environnement humide (tout environnement avec du liquide).
11. Avant utilisation, préparez le sol (enlevez tous les objets fragiles, cordons, vêtements, papiers, rideaux etc. susceptibles de se prendre dans le produit).
12. Ne placez pas ce produit à un endroit d'où il pourrait tomber facilement (table, chaise, etc.).
13. Éteignez l'interrupteur lorsque vous n'avez pas besoin de ce produit pendant une longue période.
14. Avant utilisation, vérifiez que l'adaptateur et la prise sont connectés correctement.
15. Afin d'éviter qu'il ne soit renversé, informez toutes les personnes de la maison lorsque ce produit est en marche.
16. Le produit peut ne pas passer au-dessus de marches de plus de 10 mm.
17. Utilisez ce produit à une température de -10 ° à 40 °C (degré Celsius) et n'exposez pas ce produit à une température élevée.
18. La batterie doit être retirée du produit avant de le jeter.
19. Le produit doit être débranché de l'alimentation secteur lors du retrait de la batterie.
20. La batterie doit être éliminée dans le respect de l'environnement.

**REMARQUE : Assurez-vous de la présence d'une personne compétente lorsque des enfants ou des personnes handicapées/mentalement déficientes l'utilisent.**

# Pièces du produit

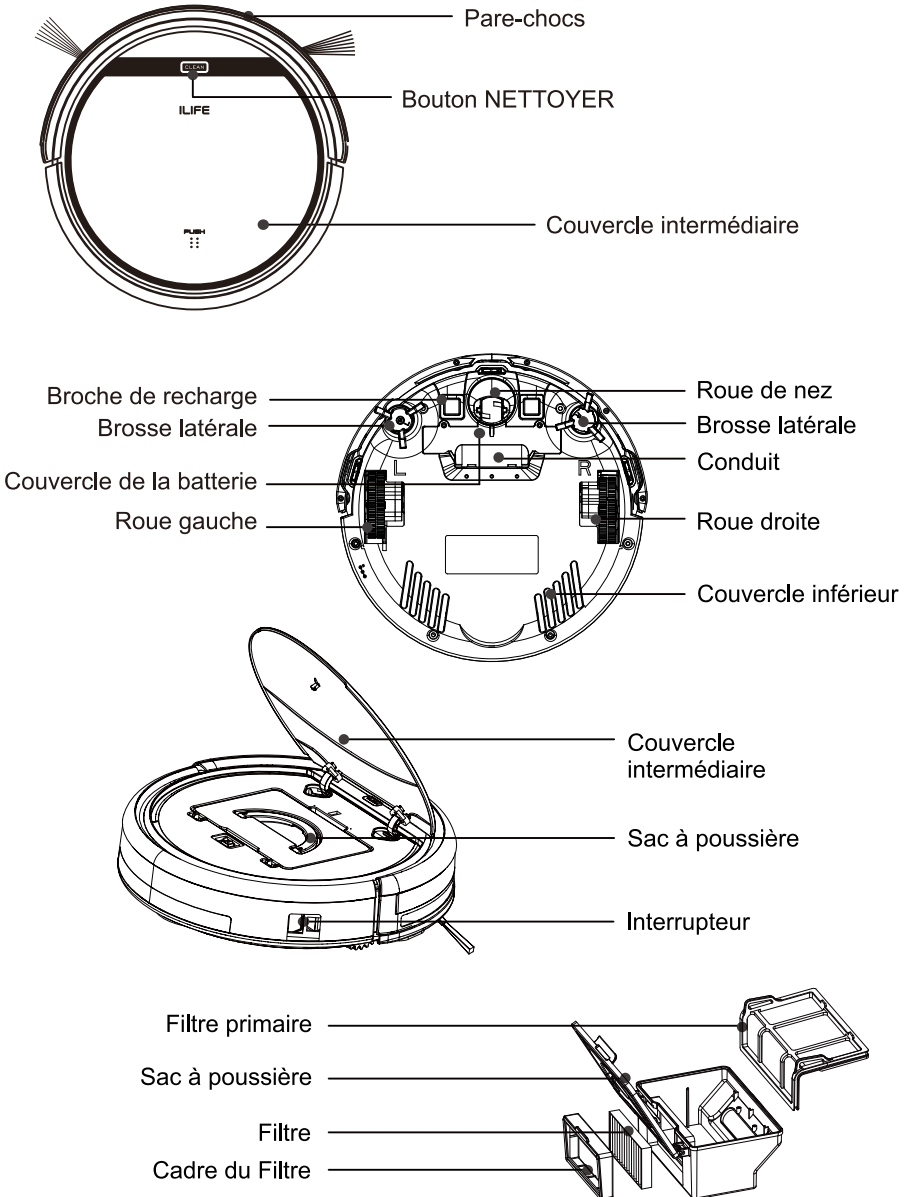
## Corps principal et accessoires

N°	Description	Quantité
1	Corps principal	1
2	Base de recharge	1
3	Télécommande (pile non fournie)	1
4	Adaptateur	1
5	Outil de nettoyage	1
6	Manuel de l'utilisateur	1
7	Brosses latérales supplémentaires	2
8	Filtre supplémentaire	2



# Pièces du produit

## Anatomie du robot



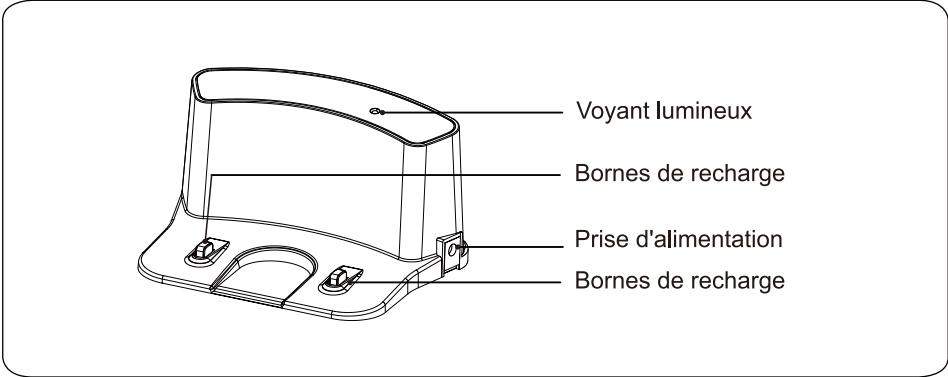


---

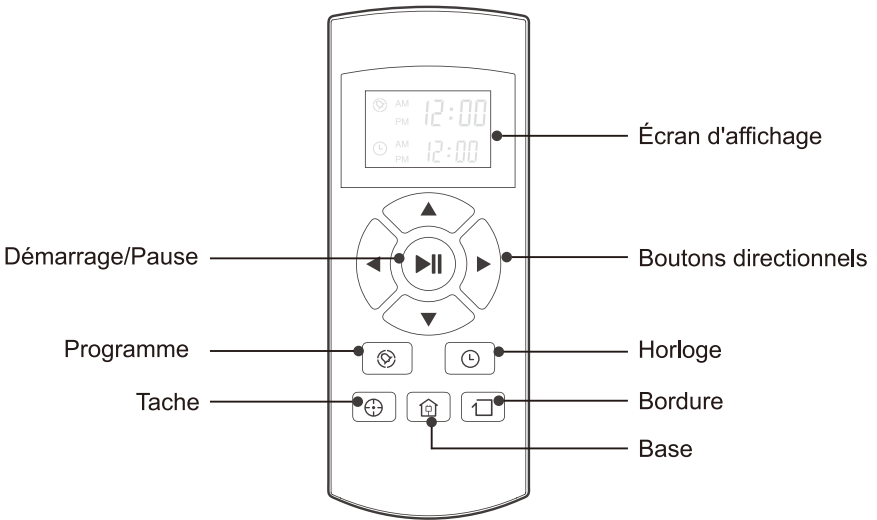
# Pièces du produit

---

## Base de recharge



## Télécommande



---

## Pièces du produit

---

### État du bouton NETTOYER

État du robot	État des voyants
En charge	Tous les voyants clignotent progressivement
Charge terminée	Toutes les lumières se éteignent
En mode sélectionné	Tous les voyants clignotent lentement
En cas d'erreur du robot	Tous les voyants clignotent
Batterie faible	Les voyants du milieu clignotent
En mode base	Les voyants du milieu clignotent lentement
En mode nettoyage	Les voyants du milieu sont allumés
En mode bordure	Les voyants du milieu sont allumés, les voyants du bas clignotent
En mode tache	Les voyants du milieu sont allumés, les voyants du haut clignotent

# Pièces du produit

## Fonctionnement de la télécommande

### 1. "▶||" Démarrage/Pause

- Appuyez sur ce bouton pour commencer le nettoyage avec le mode sélectionné
- Appuyez sur ce bouton pour arrêter le robot lorsqu'il nettoie.
- Appuyez sur ce bouton pour passer du mode sommeil au mode sélectionné.

### 2. Bouton Max

#### A. Bouton "▲"

- Appuyez sur ce bouton pour diminuer les chiffres en mode programmation ou horloge;
- Appuyer ce bouton pour permettre au robot de se déplacer en avant dans le mode de sélectionné et le robot s'arrêtera quand il rencontre un obstacle.

#### B. Bouton "▼"

- Appuyez sur ce bouton pour diminuer les chiffres en mode programmation ou horloge.
- Appuyez pour faire reculer le robot devant une petite marche avec le mode sélectionné.

#### C. Bouton "◀"

- Appuyez sur ce bouton pour passer des minutes aux heures en mode programmation ou horloge ;
- Appuyez sur ce bouton pour faire tourner le robot vers la gauche.

#### D. Bouton "▶"

- Appuyez sur ce bouton pour passer des heures aux minutes en mode programmation ou horloge ;
- Appuyez sur ce bouton pour faire tourner le robot vers la droite.

### 3. "⌚" Programme

- Appuyez sur ce bouton pour passer au mode programmation à partir du mode sélectionné.
- Appuyez sur ce bouton pour confirmer la programmation en mode programmation.

### 4. "🕒" Horloge

- Appuyez sur ce bouton pour passer au mode horloge à partir du mode sélectionné.
- Appuyez sur ce bouton pour confirmer le réglage de l'horloge en mode horloge.

### 5. "🏠" Base

Appuyez sur ce bouton pour mettre le robot sur sa base de recharge.

### 6. "▭" Bordure

Appuyez sur ce bouton pour que le robot nettoie le long des murs.

### 7. "⊕" Tache

Appuyez sur ce bouton pour que le robot commence à nettoyer les taches.

### 8. Affiche l'heure de la programmation.

### 9. Affiche l'heure de l'horloge.

#### Remarque :

1. Installez deux piles de type AAA dans la télécommande.
2. Retirez les piles si la télécommande n'est pas utilisée pendant une longue période.

---

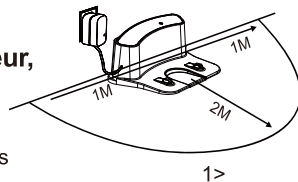
# Fonctionnement du produit

---

## 1. Pour démarrer

### 1>. Posez la base de recharge, branchez l'adaptateur, le voyant lumineux de la base de recharge tourner solides.

Remarque : Mettez la base de recharge contre le mur et enlevez les obstacles sur 1 mètre sur deux côtés et sur 2 mètres devant.



### 2>. Allumez l'interrupteur près de la prise électrique, le panneau d'affichage clignotera alors.

(Si aucune commande n'est reçue, le robot se mettra en mode sommeil après 15 secondes.)

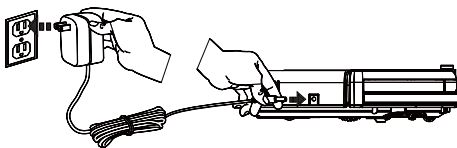
Remarque :

- A. Maintenez toujours l'interrupteur allumé. Dans le cas contraire, le robot ne pourra pas fonctionner.
- B. Si l'interrupteur est éteint, tous les programmes seront perdus.

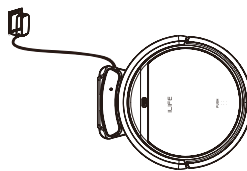
**Attention : Avant de charger le robot, assurez-vous que l'interrupteur est allumé, sinon le robot ne pourra pas être chargé.**

### 3>. Chargez le robot d'une des deux manières indiquées ci-dessous :

- A. Appuyez sur BASE pour mettre le robot sur sa base de recharge pour qu'il se recharge.
- B. Branchez sur une prise.



A



B

Pour une durée de vie de la batterie plus longue :

A. Avant la première utilisation, chargez le robot toute une nuit. Lorsque la charge est terminée, le panneau d'affichage s'allumera.

B. Pour une utilisation normale, rangez toujours le robot sur sa base de recharge avec la base branchée.

C. Si le robot n'est pas utilisé pendant une longue période, éteignez l'interrupteur, chargez le robot complètement et rangez-le dans un endroit frais et sec.

### 4>. Recharge automatique

Le robot retournera automatiquement sur sa base de recharge lorsque la batterie est faible.

---

# Fonctionnement du produit

---

## 2. Mise en marche/Pause/Sommeil

**Mode sommeil** : Le robot ne fonctionne pas, les voyants autour du bouton NETTOYER sont éteints et l'interrupteur est allumé ;

**Mode sélectionné** : Le robot ne fonctionne pas, les voyants autour du bouton NETTOYER clignotent ;

**Mode nettoyage** : Le robot ne fonctionne pas, les voyants autour du bouton NETTOYER sont allumés.

### 1>. Mise en marche

Assurez-vous que l'interrupteur soit allumé ;

Appuyez sur le bouton NETTOYER sur le corps principal ou sur la télécommande pour commencer à nettoyer.

Remarque : Si le robot est en mode sommeil, appuyez sur le bouton NETTOYER pour sortir le robot du mode sommeil. Puis appuyez sur NETTOYER une deuxième fois, le robot commence à nettoyer automatiquement.

### 2>. Pause

Appuyez sur le bouton NETTOYER sur le corps principal ou sur la télécommande pour faire passer le robot du mode nettoyage au mode sélectionné.

Remarque : Lorsque le robot est en pause, appuyez sur NETTOYER pour que le robot reprenne le nettoyage.

### 3>. Sommeil

Pour que le robot passe du mode sélectionné au mode sommeil :

Appuyez sur NETTOYER sur le corps principal pendant 3 secondes.

Le robot passera automatiquement en mode sommeil si aucune commande n'est reçue pendant 15 secondes.

---

# Fonctionnement du produit

---

## 3.Programmation

Vous pouvez programmer le robot pour qu'il commence à nettoyer à partir d'une certaine heure.

Remarque : Pensez à régler l'horloge et la programmation après remplacement des piles de la télécommande.

Une fois l'horloge réglée, le robot fonctionnera selon les programmations que vous avez réalisées.

### Réglage de l'horloge

1.Pointez la télécommande vers le robot (assurez-vous que l'interrupteur soit allumé).

2.Appuyez sur HORLOGE puis utilisez les boutons directionnels pour régler l'heure.

3.Appuyez sur HORLOGE pour sauvegarder le réglage.

Pour annuler l'horaire, veuillez éteindre le robot

### Réglage d'un programme

Le robot fonctionnera toujours à l'heure programmée sauf si l'interrupteur du robot est éteint.

1.Pointez la télécommande vers le robot.

2.Appuyez sur PROGRAMME puis utilisez les boutons directionnels pour régler le programme.

3.Appuyez sur PROGRAMME pour sauvegarder le réglage.

Pour annuler l'horaire, veuillez éteindre le robot.

Remarque :

Lorsque vous réglez l'horloge ou le programme, l'opération finale sera confirmée par un bip émis par le robot ;

L'absence de bip signifie que votre réglage n'a pas réussi.

---

# Fonctionnement du produit

---

## 4.Mode nettoyage

### 1>. Nettoyage automatique

Le robot nettoiera une pièce automatiquement et ajustera son nettoyage selon la situation.

Remarque :

Appuyez sur le bouton NETTOYER sur le robot ou sur la télécommande pour démarrer le nettoyage automatique.

### 2>. Nettoyage des taches

A. Appuyez Tache sur la télécommande vers le robot lorsque le robot est en marche, le robot tournera aux alentours et passera en mode de nettoyage automatique après le nettoyage des taches est terminé.

B. Appuyez Tache sur la télécommande vers le robot lorsque le robot est en mode sélectionné et le robot va commencer à tourner aux alentours. Le robot va se transformer en mode sélectionné après le nettoyage des taches est terminé.

### 3>. Nettoyage des bordures

Placez le robot près d'une bordure (mur) et appuyez sur BORDURE sur la télécommande pour commencer le nettoyage des bordures.

**Remarque :**

Le nettoyage des bordures s'arrêtera automatiquement lorsque le robot ne détecte plus de bordures, ou lorsque vous appuyez manuellement sur NETTOYER pour terminer le nettoyage des bordures.

# Entretien du produit

## 1. Nettoyage des brosses latérales

Nettoyez les brosses latérales lorsqu'elles sont sales et remplacez-les si elles sont endommagées.

Remarque : Avant de remplacer les brosses latérales, vérifiez et alignez les marques « L » et « R » sur les brosses latérales et le bas du robot.

## 2. Nettoyage du sac à poussière et du filtre

Nettoyez et videz le sac à poussière après chaque utilisation, les étapes sont indiquées dans les figures ci-dessous.

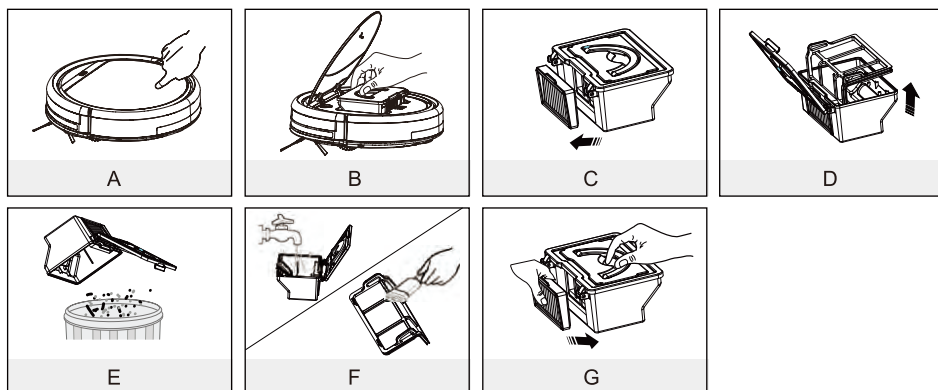
Remarque :

Après avoir sorti le sac à poussière, vérifiez si des corps étrangers sont coincés dans le conduit d'aspiration et nettoyez-le. Nettoyez le Filtre après 15 à 30 jours d'utilisation.

Et remplacez-le après une utilisation de 6 mois maximum.

Installez le Filtre et le filtre primaire quand ils sont secs.

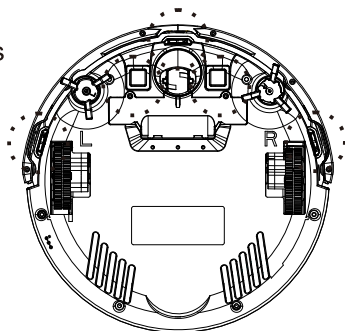
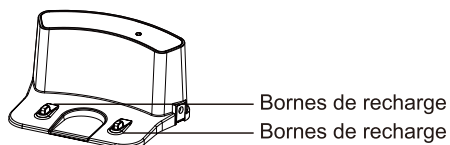
Le Filtre et le filtre primaire peuvent être remplacés au besoin.



## 3. Nettoyage des capteurs d'évitement et des broches de recharge automatique.

Nettoyez légèrement la vitre des capteurs et les broches de recharge automatique à l'aide d'un chiffon doux et sec.

Remarque : Les bornes de recharge de la base de recharge doivent être nettoyées si elles sont sales.





---

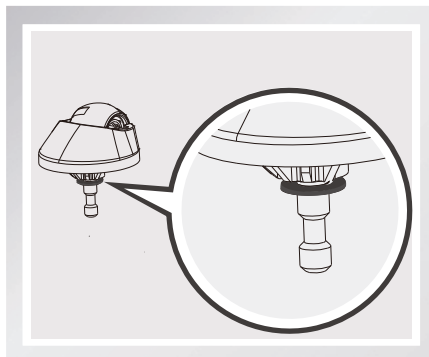
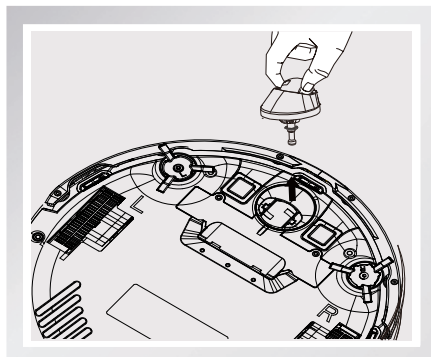
## Entretien du produit

---

### 4. Nettoyage de la Roue Avant

Quand il y'a des corps étrangers dans la roue avant, cela affectera la performance de nettoyage, veuillez donc la nettoyer de la manière suivante :

- (1) Tirer la roue verticalement and la nettoyer. Veuillez vérifier que le joint est enlevé.
- (2) Veuillez vérifier que le joint est installé correctement après nettoyage de la roue avant.



---

# Dépannage

---

## 1. Liste des codes d'erreur

Lorsque le robot rencontre des problèmes de routine, un bip vous le rappellera.

- Signal sonore bref

N°	Signal sonore	Cause	Solution
01	•	Les roues ou les brosses latérales ne fonctionnent pas	Vérifiez les roues ou les brosses latérales
02	• •	Panne du capteur d'évitement ou du capteur du pare-chocs	Nettoyez le capteur d'évitement et secouez légèrement le pare-chocs, recherchez la présence de corps étrangers
03	• • •	Le corps principal se bloque	Déplacez le corps principal et recommencez

Remarque : Si toutes les solutions ci-dessus ne marchent pas, prenez les mesures ci-dessous.

1. Réglez à nouveau le robot en allumant l'interrupteur à nouveau.
2. Si le nouveau réglage ne marche pas, renvoyez le robot au vendeur pour réparations.

# Dépannage

## 2.Syptômes de défauts

Syptômes de défauts	Cause probable	Solution
Il tourne sur lui-même	La roue latérale du robot V3s Pro est bloquée	Nettoyez les roues latérales du robot V3s Pro pour enlever les poils, cheveux et débris. Poussez-les vers l'intérieur et vers l'extérieur pour vérifier qu'elles tournent librement. Allumez le robot V3s Pro dans un nouvel endroit.
Il recule sans cesse	Un capteur d'évitement est encrassé ou cassé.	Inspectez et nettoyez les capteurs d'évitement du robot V3s Pro.
Il heurte l'obstacle sans arrêt	Le pare-chocs est comprimé	Tapez vivement sur le pare-chocs du robot V3s Pro 10 à 20 fois afin de déloger tout débris qui pourrait être emprisonné sous le pare-chocs, ou desserrez la vis du pare-chocs.
Temps de fonctionnement bref	La capacité de stockage de la batterie s'affaiblit. Elle ne se charge pas complètement.	Remplacez la batterie. Rechargez le robot.
Le voyant «Nettoyer» est éteint lors de la charge	Quelque chose, comme des poils d'animaux, entre dans la prise du chargeur. La batterie du robot n'est pas connectée	Nettoyez la prise, vérifiez la connexion entre le chargeur et la batterie.
Il aspire la saleté, pas les débris	Le Filtre est sale ou mouillé.	Nettoyez le Filtre ou changez le Filtre.
Il recrache des saletés	Le sac à poussière est plein.	Videz le sac à poussière.
Le robot ne nettoie pas automatiquement à une heure programmée.	Le réglage de la programmation de l'heure n'a pas été sauvegardé. La fonction de programmation de l'heure est supprimée lorsque vous redémarrez le robot. Le robot est éteint. La batterie du robot est faible. Les composants du robot sont emmêlés avec des débris.	Réinitialisez la fonction de programmation de l'heure, n'oubliez pas la confirmation finale. Allumez le robot. Laissez le robot allumé et sur la base de recharge pour garantir que sa batterie est pleine et prête à fonctionner à tout moment. Éteignez le robot, nettoyez le sac à poussière et retournez le robot. Nettoyez les brosses latérales et la brosse principale.

## Spécifications du produit

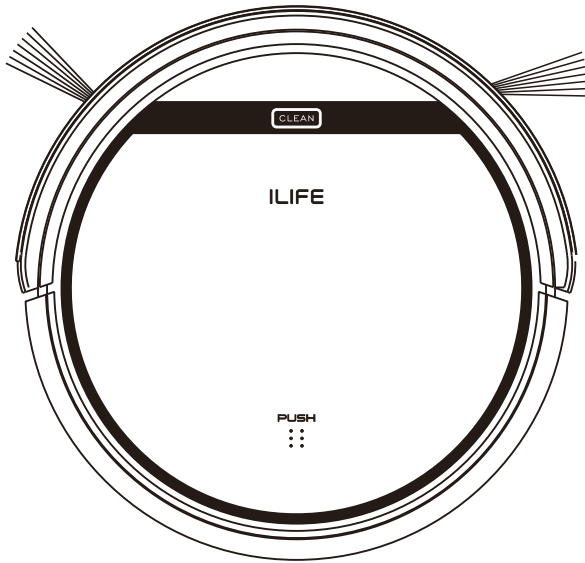
Classification	Article	Détail
Spécifications mécaniques	Diamètre	300mm
	Hauteur	81mm
	Poids	2.2kg
Spécifications électriques	Puissance	22W
	Spécifications de la batterie	Li-ion
Spécifications de nettoyage	Capacité du sac à poussière	0.3 L
	Type de charge	Charge automatique / charge manuelle
	Mode nettoyage	Automatique, Tache, Bordure, Programme quotidien
	Temps de charge	Environ 280 mins
	Temps de nettoyage	Environ 90 mins
Type de bouton du corps principal		Bouton tactile

Remarque : La température de stockage de ce produit est comprise entre -10 ° et 40 °C.





ILIFE



Aspiradora Robótica

# Manual del Usuario

Español





Querido Cliente,

¡Gracias por comprar el aspiradora robot ILIFE V3s Pro!

Usted se ha unido a millones de personas que limpia con robots – la manera más inteligente de hacerlo.

Por favor tome unos momentos para leer este manual y conocer a su robot, así obtener el mejor desempeño de este. Si usted tiene algún problema al usarlo, por favor no se preocupe, usted debe contactar al servicio al cliente primero, ellos lo asistirán durante este proceso.

### **Servicio de atención al cliente de ILIFE**

Número de Servicio de Atención al Cliente:

1-800-631-9676 (Gratuito para E.E.U.U. y Canadá)

Email: [support@iliferobot.com](mailto:support@iliferobot.com)

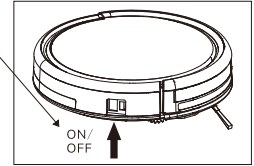
---

# Consejos Importantes

---

## Cómo usar

- Antes de utilizar el robot, asegúrese de que el interruptor de alimentación está encendido, y elimine los obstáculos, especialmente los cables en sus alrededores.
- El robot pasará por encima de la misma área del piso varias veces para asegurarse de limpiar completamente.
- Los cepillos giratorios pueden golpear con gránulos pequeños (comida para perros, arena para gatos) aquí y allá, pero finalmente el robot los aspirará.
- Vacíe el cubo de la basura. Usted podrá notar que el robot aspira menos, incluso escupe cosas cuando el cubo de la basura está lleno, aunque no hay ningún sonido de los pitidos de advertencia.



## Para un Mejor Rendimiento

- Vacíe papelera de polvo del V3s Pro y limpie su filtro después de cada uso.
- El Filtro no puede ser lavado con agua.
- Reemplace con un Filtro nuevo cuando note que la aspiradora V3s Pro se hace más débil y recoge menos que antes.

## Duración de la Batería

Para prolongar la vida útil de la batería de V3s Pro y para mantener su limpieza al máximo rendimiento:

- Cargue el robot durante la noche antes de usarlo por primera vez.
- Si el robot no se utiliza durante mucho tiempo, por favor apague el interruptor de alimentación.
- Recargue el robot tan pronto como sea posible. Esperar varios días para recargar puede dañar la batería.
- Utilice el robot con frecuencia.



**Advertencia:** Este producto contiene partes electrónicas, NO Sumerja el V3s Pro o lo rocíe con agua. Limpie con un trapo seco.

---

# Índice de contenidos

---

<b>Instrucciones de seguridad</b> .....	1
<b>Partes del producto</b> .....	2
Cuerpo principal y accesorios .....	2
Anatomía del robot .....	3
Base de carga .....	4
Mando a distancia .....	4
Estado botón CLEAN .....	5
Función del mando a distancia .....	6
<b>Modo de uso</b> .....	7
Cómo empezar .....	7
Puesta en marcha/Pausar/Modo reposo .....	8
Programación .....	9
Modo de limpieza .....	10
<b>Mantenimiento</b> .....	11
Limpieza de los cepillos laterales .....	11
Limpieza la bolsa de basura y el filtro .....	11
Limpieza los sensores de desnivel y los pins de auto carga .....	11
Limpieza de la rueda frontal .....	12
<b>Resolución de problemas</b> .....	13
Códigos de error .....	13
Página de Errores .....	14
<b>Especificaciones del producto</b> .....	15

---

# Instrucciones de seguridad

---

**Antes de usar este producto, por favor, lea las siguientes instrucciones de seguridad y siga todas las precauciones habituales de seguridad.**

- Antes de usar este producto, asegúrese de que el interruptor de encendido está en la posición ON
- Si no se va a utilizar el producto durante un largo periodo de tiempo apague el interruptor que se encuentra en el lado derecho del cuerpo principal.

## PRECAUCIÓN

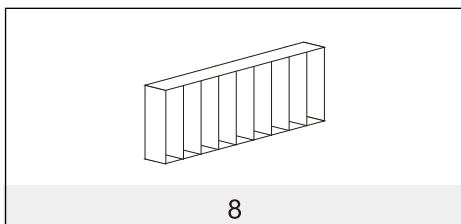
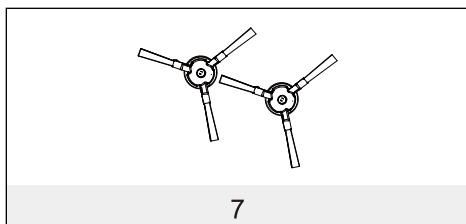
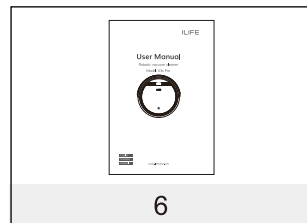
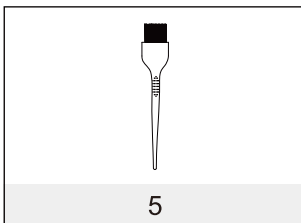
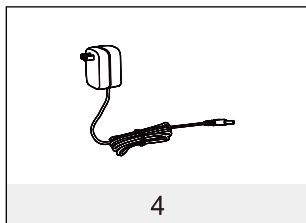
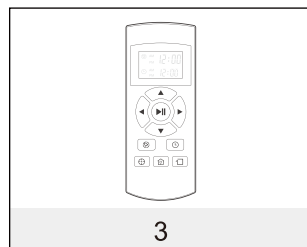
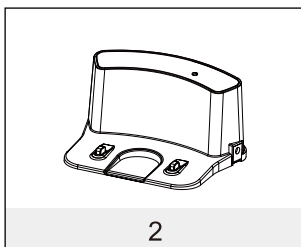
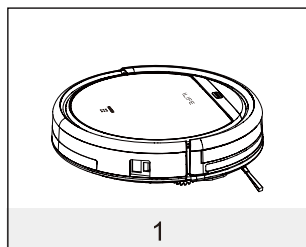
1. Solo personal cualificado puede desmontar el producto. Los usuarios no pueden desmontar o reparar el producto.
2. Use solo el adaptador proporcionado por el fabricante. Usar otro adaptador no adecuado puede causar una descarga eléctrica, fuego o daños en el producto.
3. No toque el cable de alimentación, conector o adaptador cuando tengas las manos húmedas.
4. No introduzca ropas o partes del cuerpo en las ruedas del producto.
5. No acerque este producto a cigarrillos, encendedores o cualquier producto inflamable.
6. Si necesita limpiar el producto, hágalo cuando no esté cargando.
7. No doble excesivamente o haga presión sobre el cable de alimentación con algún producto pesado.
8. Este producto está diseñado para su uso en interiores. No lo use al aire libre.
9. No se siente o deje un objeto pesado encima del producto.
10. No use este producto en un ambiente húmedo o mojado (cualquier ambiente con líquidos).
11. Antes de usar, recoja el suelo (recoja los objetos frágiles, cables, ropas, papeles, cortinas, etc., que puedan quedar atrapados en el producto).
12. No deje este producto donde pueda caerse (mesas, sillas, etc.)
13. Apague el interruptor cuando no vaya a necesitar el producto durante un largo periodo.
14. Antes de usar, asegúrese de que el adaptador y la toma de corriente están conectadas. De no ser así la batería puede resultar dañada.
15. Para evitar golpes, avise a las personas que se encuentren en casa de que el producto está funcionando.
16. El robot no es capaz de pasar por pasos de más de 10mm.
17. Use el producto con temperaturas entre -10° y 40°(grados centígrados). No coloque el producto en un ambiente con una alta temperatura.
18. Retire la batería antes de desechar el producto.
19. Se debe desconectar el producto de la corriente antes de quitar la batería.
20. Deseche la batería en un lugar adecuado.

**NOTE: Este producto no debería ser usado por niños, enfermos mentales o personas sin la experiencia y conocimientos necesarios (Sin la supervisión necesaria).**

# Partes del producto

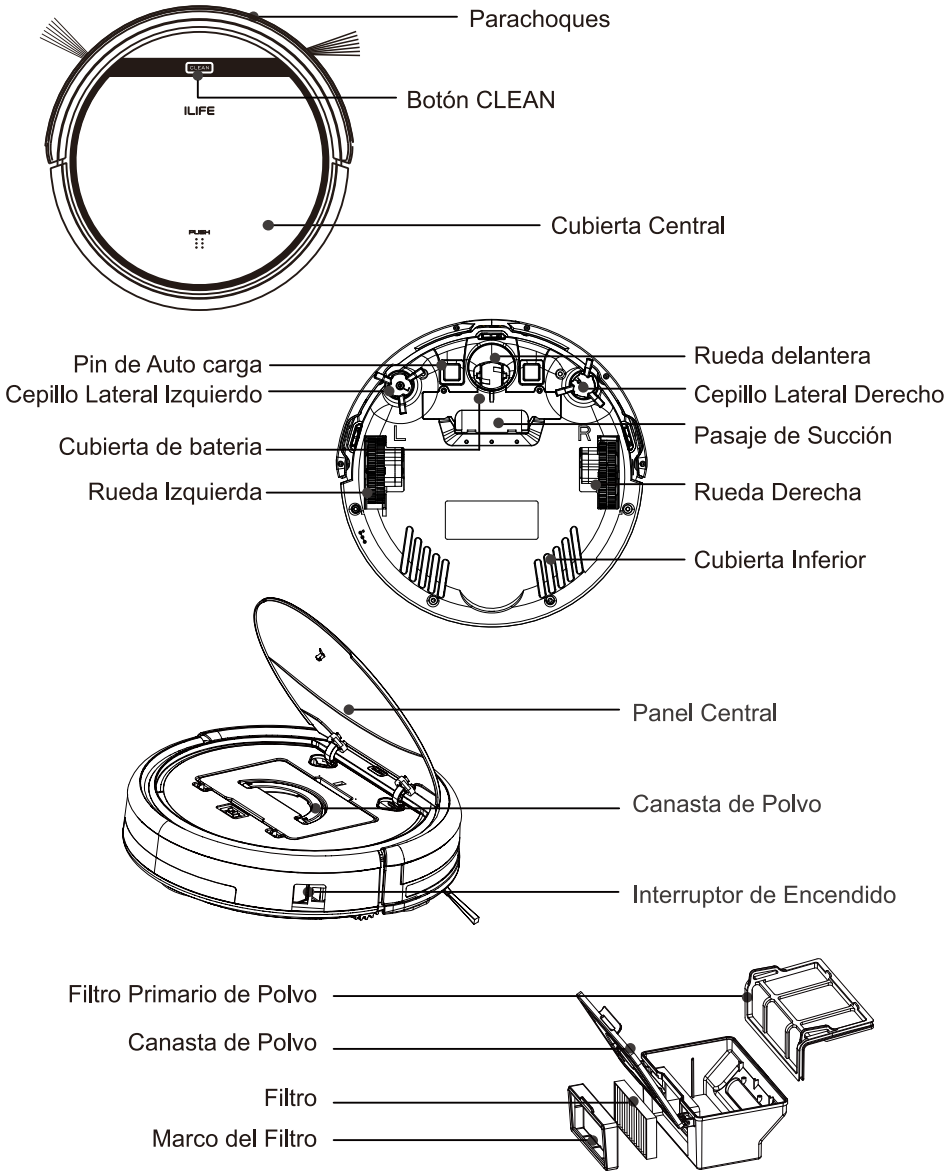
## Cuerpo principal y accesorios

N.	Descripción	Cant.
1	Cuerpo principal	1
2	Base de carga	1
3	Mando a distancia(baterías no incluidas)	1
4	Adaptador	1
5	Herramienta de limpieza	1
6	Manual de usuario	1
7	Cepillos laterales adicionales	2
8	Filtro adicional	2



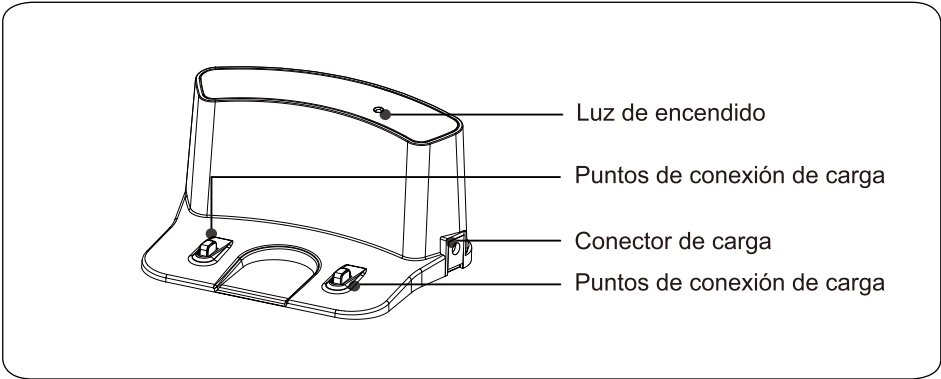
# Partes del producto

## Anatomía del robot

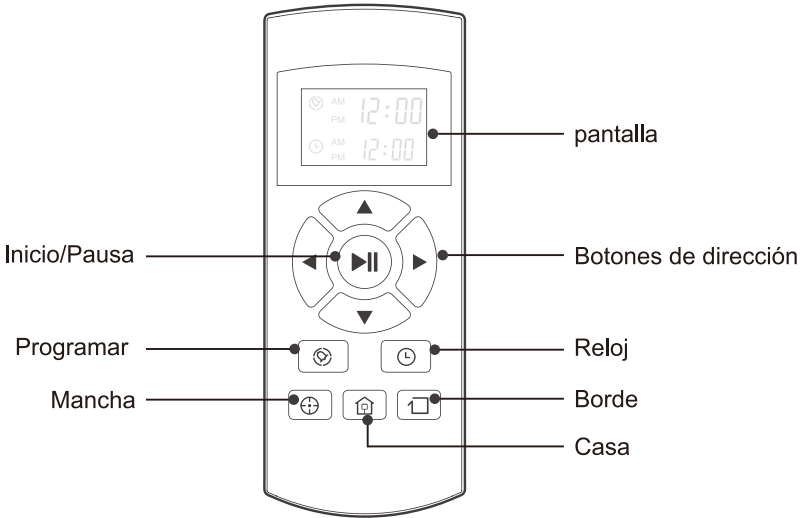


# Partes del producto

## Base de carga



## Mando a distancia



---

## Partes del producto

---

### Estado botón CLEAN

Estados	Estado del led
Cargando	Todas las luces parpadeando paulatinamente
Carga finalizada	Todas las luces se apagan
Modo Selección	Todas las luces parpadeando despacio
Cuando hay error	Todas las luces parpadeando
Batería baja	Luces centrales parpadeando
Modo Casa	Luces centrales parpadeando despacio
Modo limpieza	Luces centrales encendidas fijas
Modo Borde	Luces centrales fijas y luces inferiores parpadeando
Modo Mancha	Luces centrales fijas y luces superiores parpadeando



# Partes del producto

## Función del mando a distancia

### 1. “▶||” Inicio/Pausa

- Pulsa este botón para empezar la limpieza en el modo seleccionado
- Pulsa este botón para parar el robot cuando esté limpiando
- Pulsa este botón para cambiar del modo de reposo al modo seleccionado.

### 2. Botones direccionales

#### A. “▲” botón:

- Pulsa este botón para incrementar números en la programación o el modo reloj.
- Pulsa este botón para hacer que el robot avance en el sentido seleccionado y el robot se detendrá cuando toque cualquier objeto.

#### B. “▼” botón:

- Pulsa este botón para reducir números en la programación o el modo reloj.
- Pulse para realizar robot se mueva hacia atrás para el pequeño paso en el modo seleccionado.

#### C. “◀” botón:

- Pulsa este botón para cambiar de minutos a horas en la programación o el modo reloj;
- Pulsa este botón para hacer que el robot tuerza a la izquierda.

#### D. “▶” botón:

- Pulsa este botón para cambiar de minutos a horas en la programación o el modo reloj;
- Pulsa este botón para hacer que el robot tuerza a la derecha.

### 3. “🕒” Plan

- Pulsa este botón para acceder a la programación cuando esté en el modo selección.
- Pulsa este botón para confirmar la programación cuando esté en dicho modo.

### 4. “🕒” Clock

- Pulsa este botón para entrar en el modo reloj cuando esté en el modo selección.
- Pulsa este botón para confirmar la configuración de reloj en dicho modo.

### 5. “🏠” Casa

Pulsa este botón para que el robot vuelva a la base de carga.

### 6. “📏” Borde

Pulsa este botón para hacer que el robot limpie por la pared.

### 7. “⊕” Spot

Pulsa este botón para hacer que el robot haga una limpieza de manchas.

### 8. “🕒<sup>AM</sup> 12:00” Muestra la hora de programación.

### 9. “🕒<sup>PM</sup> 12:00” Muestra la hora del reloj.

#### **Aviso:**

1. Inserte dos pilas tipo AAA en el mando a distancia.
2. Retires las baterías si no va a usar el mando por un largo periodo de tiempo.

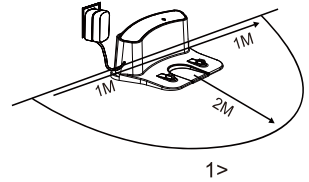
---

# Modo de uso

---

## 1. Cómo empezar

### 1>. Coloque la base de carga y conecte el adaptador, La luz en la base de carga girar sólido.



Aviso: Deje la base de carga contra la pared y despeje el suelo de Obstáculos un metro a cada lado y dos metros hacia delante.

### 2>. Encienda el interruptor que está próximo al conector de alimentación, El panel de visualización parpadeará.

(Si no recibe órdenes en 45 segundos, el robot entrará en modo reposo.)

Nota: A. Por favor, deje siempre encendido el interruptor. Si no, no es posible hacer funcionar el robot.

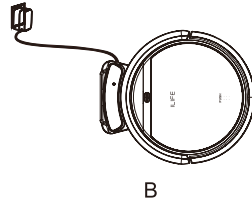
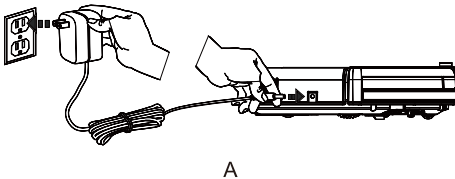
B. Si el interruptor está apagado se perderá toda la programación.

**Precaución: Antes de cargar el robot, por favor, asegúrate de que el interruptor está encendido o el robot no se cargará.**

### 3>. Carga el robot de la manera indicada:

A. Enchufe a una toma de corriente.

B. Pulsa  botón en el mando para hacer que el robot vuelva a la base para cargarse.



Para aumentar la vida de la batería:

A. Antes de usar por primera vez, deje cargando el robot toda la noche. Cuando finalice la carga, la luz alrededor del botón principal tendrá el color verde fijo.

B. En un uso normal, deje siempre el robot en la base de carga, está conectando.

C. Si no va a usar el robot durante largo tiempo, apague el interruptor, cargue completamente el robot y guárdelo en un lugar fresco y seco.

### 4>. Auto carga

El robot volverá automáticamente a la base de carga cuando la batería tenga poca carga.

---

# Modo de uso

---

## 2. Puesta en marcha/Pausar/Modo reposo

**Modo reposo:** El robot no está funcionando, las luces alrededor del botón CLEAN están apagadas y el interruptor está encendido.

**Modo selección:** El robot no está funcionando, las luces alrededor del botón CLEAN parpadean.

**Modo limpieza:** El robot está funcionando, las luces alrededor del botón CLEAN están encendidas.

### 1>. Puesta en marcha

A. Asegúrese de que el interruptor está encendido.

B. Pulsa el botón CLEAN en el robot o en el mando a distancia para empezar a limpiar.

Aviso: Si el robot está en reposo, pulsa el botón CLEAN para despertarlo. Entonces, pulsa CLEAN por segunda vez, el robot empezará a limpiar automáticamente.

### 2>. Pausar

Pulsa el botón CLEAN en el robot o en el mando a distancia para cambiar el modo del modo limpieza al modo

Aviso: Cuando el robot está en modo pausa, pulsa CLEAN para que el robot siga limpiando.

### 3>. Modo reposo

Pulsa el botón CLEAN en el cuerpo principal o en el mando a distancia para cambiar el modo del modo limpieza al modo.

Aviso: Cuando el robot está en modo pausa, pulsa CLEAN para que el robot siga limpiando.

---

# Modo de uso

---

## 3.Programación

Puedes programarlo para hacer que empiece a limpiar a una hora concreta.

Aviso: Recuerde ajustar el reloj y volver a programar el robot cuando reemplace las pilas del mando a distancia. Una vez esté la hora ajustada, funcionarán todas las programaciones configuradas.

### Ajustando la hora del reloj

- 1.Apunta con el mando a distancia hacia el robot (asegúrate de que esté encendido)
- 2.Pulsa CLOCK y utiliza los botones de direcciones para ajustar la hora.
- 3.Pulsa CLOCK para guardar la configuración. Para cancelar la programación, apagar el robot.

### Ajustando la programación

El robot comenzará a funcionar a la hora programada siempre que se encuentre encendido el botón del robot.

1. Apunta con el mando hacia el robot
2. Pulsa PLAN y usa los botones de dirección para ajustar la programación
3. Pulsa PLAN para guardar la configuración. Para cancelar la programación, apagar el robot.

#### Nota:

Cuando ajustes la hora o la programación, el final de la operación se confirmará con un beep emitido por el robot. Si no se oye dicho tono, la configuración no se ha realizado correctamente.

---

# Modo de uso

---

## 4. Modo de limpieza

### 1>. Auto limpieza

El robot limpiará la habitación automáticamente y ajustará a limpieza a la situación.

**Nota:**

Pulsa el botón CLEAN en el robot o en el mando a distancia para empezar la auto limpieza.

### 2>. Limpieza de mancha

- A. Pulsar Spot en el mando a distancia hacia el robot cuando el robot esté funcionando. El robot girará en un círculo y se activará el modo de limpieza automática después de finalizar el Spot Clean.
- B. Pulsar Spot en el mando a distancia hacia el robot cuando el robot esté en modo seleccionado y el robot girará en un círculo. El robot se convertirá en el modo seleccionado después de finalizar Spot Clean.

### 3>. Limpieza de bordes

Coloca el robot cerca de un borde (pared) y pulsa EDGE en el mando para empezar la limpieza de bordes.

**Nota:**

La limpieza de bordes se parará automáticamente cuando el robot no detecte más bordes. Puedes parar este modo después de limpiar la zona y volverá al modo de selección.

# Mantenimiento

## 1. Limpieza de los cepillos laterales

Limpie los cepillos laterales cuando estén sucios y sustitúyalos cuando estén dañados.

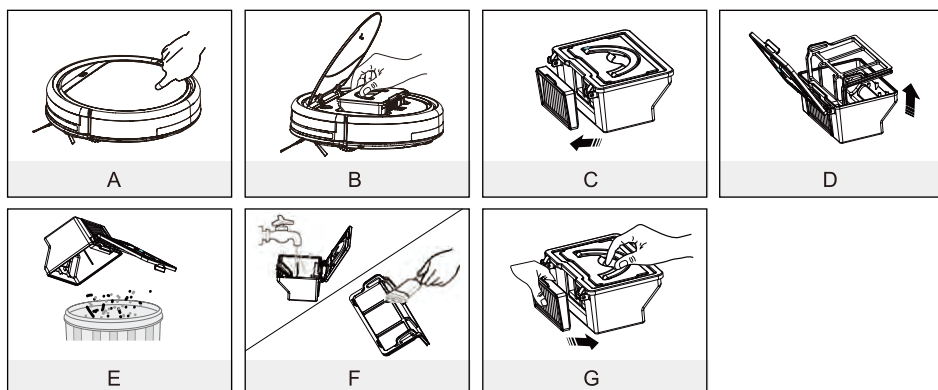
Nota: Antes de remplazar los cepillos laterales, compruebe las letras "L" –"R" coinciden en los cepillos y en la parte inferior del robot.

## 2. Limpieza de la caja de basura y el filtro

Limpie y vacíe la bolsa de basura después de cada uso. Pasos en la siguiente figura.

Nota:

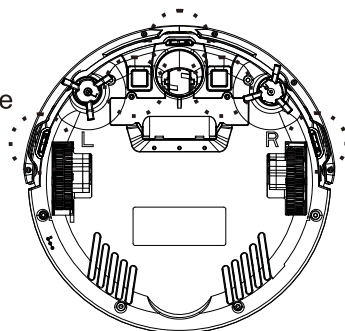
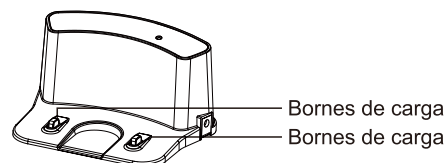
- \* Después de sacar la bolsa, compruebe si hay algún elemento extraño y límpielo.
- \* Limpiar el Filtro cada 15-30 días de uso, y replácelo cada 6 meses máximo.
- \* Inserte el Filtro y el filtro principal cuando estén secos.
- \* Los Filtros y principal) pueden ser sustituidos si es necesario.



## 3. Limpieza los sensores de desnivel y los pins de auto carga.

Limpie ligeramente la ventana del sensor y los pins de auto carga con un paño suave y seco.

Nota: Los puntos de conexión de carga en la base se deben limpiar si están sucios.



---

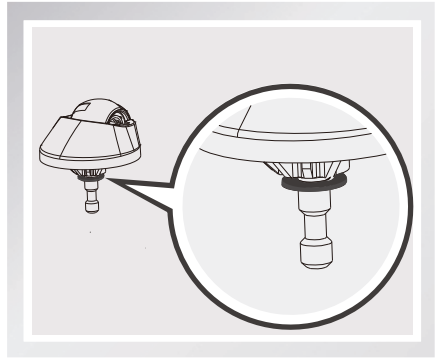
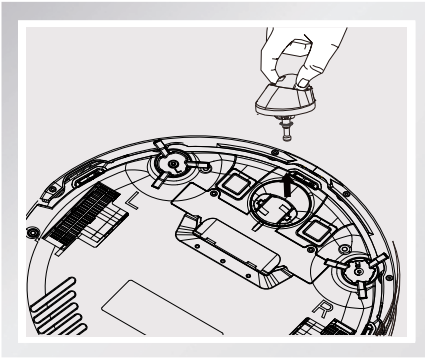
# Mantenimiento

---

## 4. Front wheel cleanup

When there is foreign matter in front wheel, it will affect the cleaning performance, please clean it follow the way below:

- (1) Pull the wheel up vertically and clean it. Please note whether the gasket is off.
- (2) It should be noted that whether the gasket is installed well after clean the front wheel.



---

# Resolución de problemas

---

## 1.Códigos de error

Cuando el robot se encuentre con algún problema rutinario, te lo hará saber mediante “beeps”.

- Tono corto.

<b>N.</b>	<b>Tono</b>	<b>Motivo</b>	<b>Solución</b>
01	•	Ruedas o cepillos laterales no funcionan	Compruebe las ruedas
02	• •	Fallo en el sensor de desnivel o el parachoques	Limpie el sensor de desnivel y sacuda suavemente el parachoques, compruebe si hay cuerpos extraños
03	• • •	El cuerpo principal se atasca	Mueva el cuerpo principal y vuelva a empezar

Nota: Si las soluciones anteriores fallan, por favor, realice una de las siguientes acciones.

1.Reinicia el robot apagando y encendiendo el interruptor principal.

Si el reinicio no funciona, por favor, envía el robot al vendedor para arreglarlo.



---

# Solución de Problemas

---

## 2. Página de Errores

Por favor use esta tabla para solucionar los problemas comunes.

Apariencia del Error	Causa Probable	Solución
Circula en el lugar	La rueda lateral del robot V3s Pro está atorada	Limpie las ruedas laterales del robot V3s Pro de pelo y escombros. Empújelas hacia dentro y hacia afuera para confirmar que ambas giran libremente. Inicie el robot V3s Pro en una nueva ubicación.
Sigue Retrocediendo	El sensor de nivelación está roto o sucio.	Inspeccione y limpie los sensores de desnivel del robot V3s Pro con un paño seco.
Golpea un obstáculo continuamente	El parachoques está comprimido	Limpie el sensor del parachoques, golpee enérgicamente el tope del robot V3s Pro de 10-20 veces para quitar cualquier residuo que pueda estar atrapado bajo el tope o afloje el tornillo del de este.
Trabaja poco tiempo	El almacenamiento de la batería se debilita. No se carga completamente.	Reemplace la batería. Recargar el robot.
La luz "Limpiar" está apagada cuando de carga	Algo como el pelo de la mascota se metió en el bolsillo de carga. La batería del robot no está conectada.	Limpie el bolsillo y compruebe la conexión entre el cargador y la batería.
Se succunan pocos desechos	El Filtro está sucio o húmedo por el agua.	Limpie el Filtro o cámbielo
Escape la basura	La caja de polvo está llena	Vaciar la caja de la basura.

**Nota:** Si todas las soluciones anteriores no funcionan, por favor tome las acciones a continuación:

- ➊ Reinicie el robot al girar otra vez el interruptor de alimentación.
- ➋ Si el reinicio no funciona, por favor, póngase en contacto con el servicio al cliente.

## Especificaciones del producto

Clasificación	Característica	Detalle
Especificaciones mecánicas	Diámetro	300mm
	Altura	81mm
	Peso	2.2kg
Especificaciones eléctricas	Potencia	22W
	Batería	Li-ion
Especificaciones de limpieza	Capacidad bolsa	0.3 L
	Tipo de carga	Auto Carga / Carga Manual
	Modo de limpieza	Auto, Mancha, Borde, Diaria, Programada
	Tiempo de carga	Acerca de 280 mins
	Tiempo de limpieza	Acerca de 90 mins
Tipo de botón en el cuerpo principal		Botón mecánico

Observación: La temperatura de almacenamiento de este producto es desde -10° a 40° C.



