

H70 Plus

Cordless Stick Vacuum Cleaner

User Manual



For more details, please visit www.iliferobot.com

ILIFE

Thank you for choosing ILIFE H70 Plus Cordless stick vacuum cleaner!

You've joined millions of people to get the cleaning done in high efficiency.

This manual helps you to keep your vacuum cleaner performing at its best. Please take a few moments to read through it.

You may also connect with us on Facebook and Instagram to enjoy exclusive benefits:

- Get model-specific customer support, including Q&A, maintenance tips, demo videos, live chat and more;
- Get the most recent product updates including new product launches, exclusive discounts and special promotions.

You may find us on:

Facebook: facebook.com/iliferobotics

Twitter: twitter.com/ILIFEROBOTICS

If you have any questions, please contact our customer service for assistance or visit www.iliferobot.com for more information.

Enjoy the high-performance cleaning of ILIFE H70 Plus.

ILIFE Innovation

ILIFE Customer Service

Russia

 **89299401228** (Mon-Fri: 9:00 - 18:00)

 service_russia@iliferobot.com

Other countries

 support@iliferobot.com

Contents

1. Important Safety Instructions	1
2. Important Tips	5
2.1 Charge The Battery	5
2.2 Assembly and Storage	6
3. Product Parts List	7
4. Product Parts Schematic	8
5. Product Parameters	11
6. Product Introduction	12
6.1 Aluminum-Alloy Tube Installation	12
6.2 Motorized Floor Head Installation	12
6.3 2 in 1 Suction Nozzle and Crevice Suction Nozzle	13
6.4 Operating	13
7. Maintenance	14
7.1 Product Maintenance	14
7.2 Signal Hints	16
8. Trouble & Resolutions	17
9. Problem Self-checking Q&A	18
10. Disposal Information	20

Important Safety Instructions



SAFETY INSTRUCTIONS

- When using electrical appliances, basic safety precautions should always be followed.
- This appliance can be used by children aged from 8 year and above and persons with reduced physical, sensory or mental capabilities or lack of experience and knowledge if they have been given supervision or instruction concerning use of the appliance in a safe way and understand the hazards involved.
- Children shall not play with the appliance, cleaning and user maintenance shall not be made by children without supervision.
- This appliance is not a toy.
- Unless they are older than 8 and under supervision, children should not use or maintain the appliance.
- Keep the appliance out of the reach of children when it is switched on or cooling down.
- Make sure that the input voltage of the vacuum cleaner's adapter fits your local voltage before connecting the appliance to the power for charging.
- Dry your hands before operating the appliance.
- Do not pull the cord to remove the adapter from the mains power supply, unplug the appliance by hand.
- Do not use the adapter to recharge non-rechargeable batteries.
- Do not use any damaged accessories or adapters.
- Do not use the appliance if it has been dropped or if there are visible signs of damage.
- Do not use the appliance for anything other than its intended use.
- Do not use any parts/accessories or adapters other than those supplied with this appliance, as this may cause damage.
- Do not use this appliance outdoors.
- Do not use this appliance if any of the openings are blocked.

Important Safety Instructions

- Do not use the appliance to pick up flammable liquid, matches, cigarette ends, hot ashes or any hot, burning or smoking objects.
- The hose should be checked regularly and must not be used if damaged.
- Take care when equipping accessories with rotating parts as this could cause entrapment.
- Switch off the appliance and disconnect it from the mains power supply before changing or fitting accessories.
- Always ensure that the appliance has fully cooled before maintaining the appliance or cleaning.
- The use of an extension cord with the appliance is not recommended.
- Only use the appliance with the power supply unit provided.
- Do not operate this appliance by an external timer or separate remote control system.
- This appliance is intended for domestic use only. It should not be used for commercial purposes.
- Improper repairs may place the user at risk of harm.
- This appliance contains no user-serviceable parts. If the power supply cord, plug or any part of the appliance is malfunctioning or if it has been dropped or damaged, only a qualified electrician should carry out repairs.
- Keep the appliance away from heat or sharp edges that could cause damage.
- Keep the appliance away from other heat-emitting appliances.
- Keep the appliance free from dust, lint, hair or anything that may reduce the airflow of the appliance.
- Do not immerse the appliance in water or any other liquid.
- Do not expose the appliance to rain.
- Do not store the appliance in direct sunlight or in high humidity conditions.

- **Caution:** The extension tube contains electrical connections. Do not use to suck up water. Do not immerse in water for cleaning. The extension tube should be checked regularly and must not be used if damaged.

Important Safety Instructions



BATTERY SAFETY

- If the battery pack becomes exhausted quickly after fully charged, it should be removed from the product to avoid leakage.
- In the event of the battery pack leaking, do not allow any liquid to come into contact with the skin or eyes.
- If the contact has been made, wash the affected area with copious amounts of water and seek medical advice.
- Keep the battery pack out of the reach of children.
- Do not leave battery packs on charge for prolonged periods of time.
- Do not use any charger other than that specifically provided for use with the product.
- The supply terminals are not to be short-circuited.
- Do not use any battery packs that are not designed for this product.
- Do not dispose of the battery pack in a fire.
- Do not crush, puncture, dismantle or otherwise damage the battery pack.
- Do not dismantle, open or shred battery packs.
- Do not expose the battery pack to heat or fire as it may explode.
- Do not subject the battery pack to mechanical shock.
- Do not dispose of the exhausted battery pack in household waste.
- The plug must be removed from the socket-outlet before cleaning or maintaining the appliance.
 - the battery must be removed from the appliance before it is scrapped.
 - the appliance must be disconnected from the supply mains when removing the battery.
 - the battery is no be disposed of safely.
- To dispose of the exhausted battery pack, take it to a local recycling station, contact the local government offices for further details, this appliance is fitted with a 29.6V 2500mAh Li-ion rechargeable battery.

Important Safety Instructions



WARNING

Read all safety warnings and instructions. Failure to follow the warnings and instructions may result in electric shock, fire and/or serious injury.

1. Prevent unintentional starting. Ensure the switch is in the off position before connecting to the battery pack, picking up or carrying the appliance. Carrying the appliance with your finger on the switch or energizing appliance that have the switch on invites accidents.
2. Disconnect the battery pack from the appliance before making any adjustments, changing accessories or storing the appliance. Such preventive safety measures reduce the risk of starting the appliance accidentally.
3. Recharge only with the charger specified by the manufacturer. Chargers that are suitable for other battery packs may cause risk when charging this appliance.
4. Use the appliances only with specifically designated battery packs. The use of any other battery packs may create a risk of injury and fire.
5. When the battery pack is not in use, keep it away from other metal objects, like paper clips, coins, keys, nails, screws or other small metal objects, that can make a connection from one terminal to another. Shorting the battery terminals together may cause burns or a fire.
6. Under abusive conditions liquid may be ejected from the battery, avoid contact. If contact accidentally occurs, flush with water. If liquid contacts eyes, additionally seek medical help. Liquid ejected from the battery may cause irritation or burns.
7. Do not use a battery pack or appliance that is damaged or modified. Damaged or modified batteries may exhibit unpredictable behavior resulting in fire, explosion or risk of injury.
8. Do not expose a battery pack or appliance to fire or excessive temperature. Exposure to fire or temperature above 130°C (265°F) may cause an explosion.
9. Follow all charging instructions and do not charge the battery pack or appliance outside of the temperature range specified in the instructions. Charging improperly or at temperatures outside of the specified range may damage the battery and increase the risk of fire.
10. Have servicing performed by a qualified repair person using only identical replacement parts. This will ensure that the safety of the product is maintained.
11. Do not modify or attempt to repair the appliance or the battery pack (as applicable) except as indicated in the instructions for use and care.

Important Tips

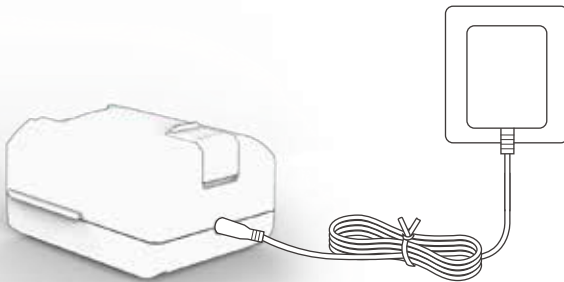
Charge the Battery

2 ways to charge the battery

- Charge the battery after putting it to the appliance.
(We recommend this charging way since the LED Indicator on the appliance show charging status.)

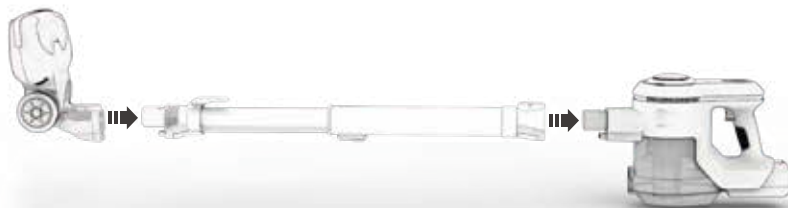


- Charge the battery directly.

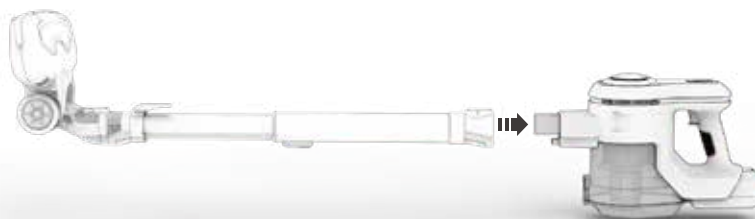


Assembly and Storage

3 steps to assemble the stick vacuum cleaner:



1. Connect the motorized floor head to the end of aluminum alloy tube.



2. Connect the main body to the top of aluminum alloy tube.

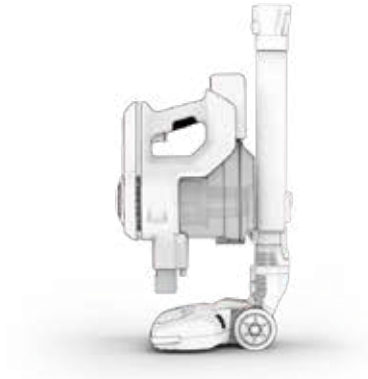


3. Make sure there is no looseness at the connections and finish assembling.

Product Parts List

2 Ways to Store

- Hang on the wall mounting bracket.
- Attach the main body to the stick to stand on the floor.

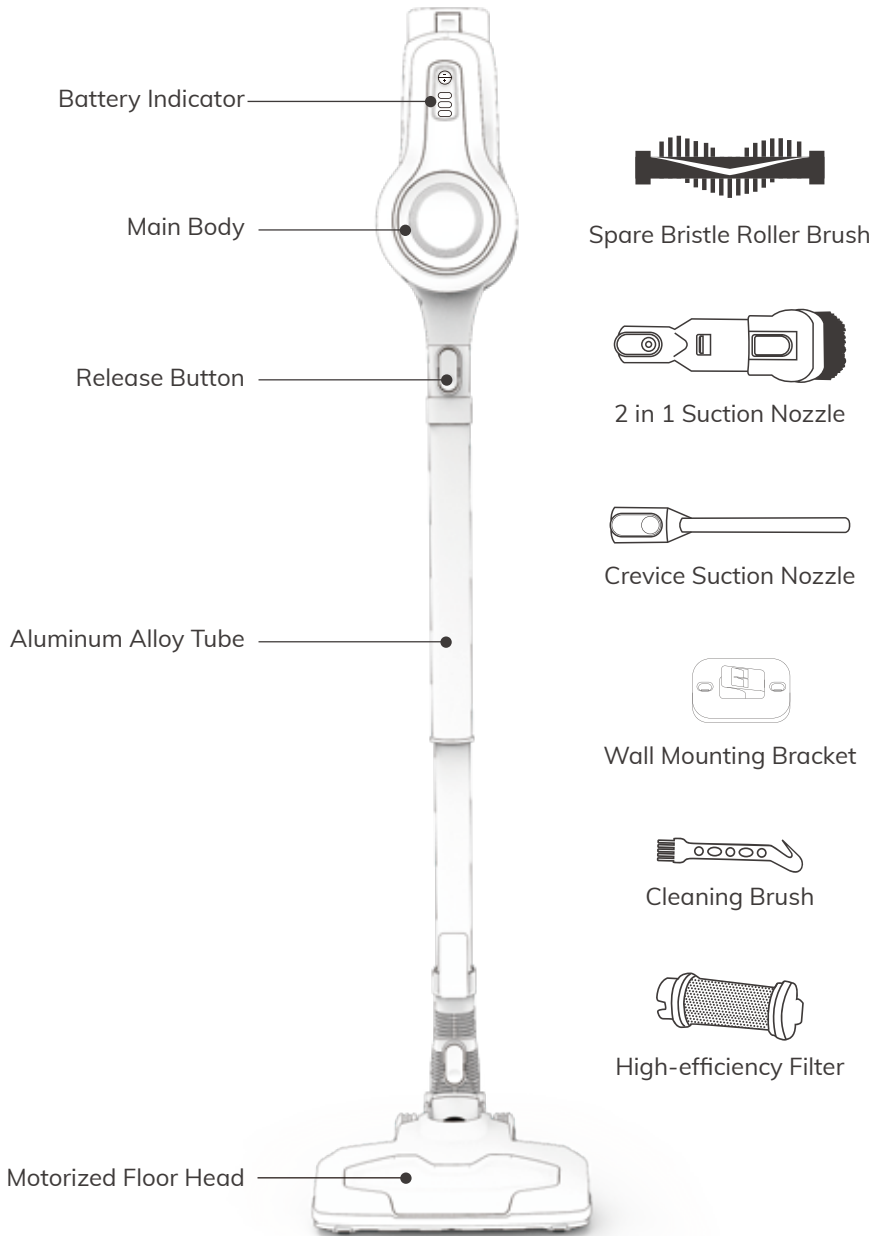


What's in box?

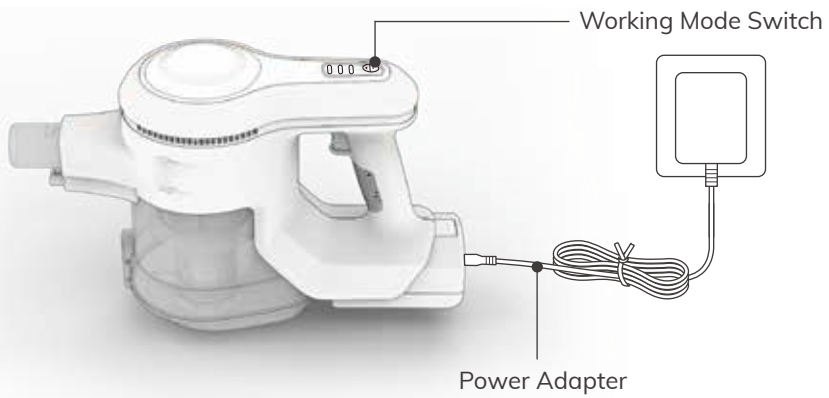
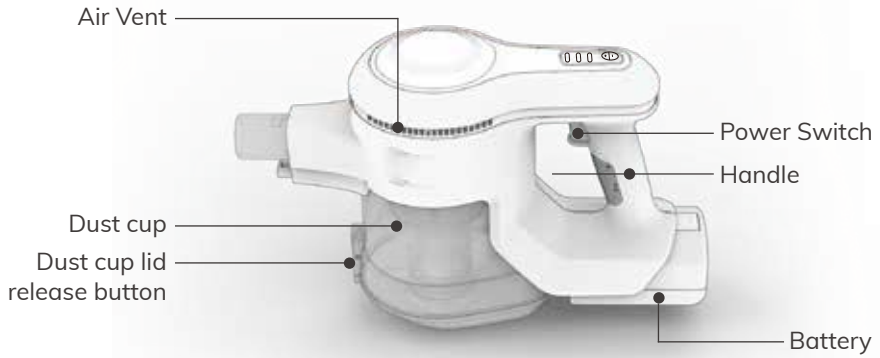
Please check of all the accessories are in the package box.

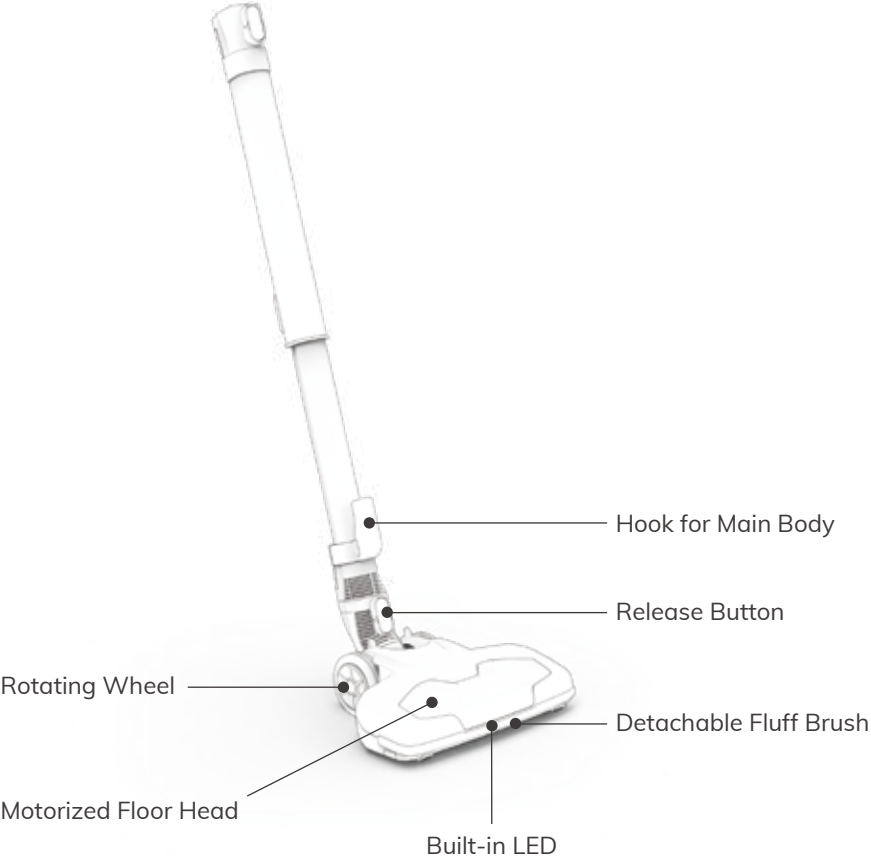
Name	Quantity
Main Body	1
Aluminum Alloy Tube	1
Motorized Floor Head	1
Power Adapter	1
Warranty Card	1
User Manual	1
Cleaning Brush	1
Wall Mounting Bracket	1
Crevice Suction Nozzle	1
2 in 1 Suction Nozzle	1
Extra Bristle Roller Brush	1
Spare High-efficiency Filter	1

Product Parts Schematic



Product Parts Schematic





Product Technical Parameters

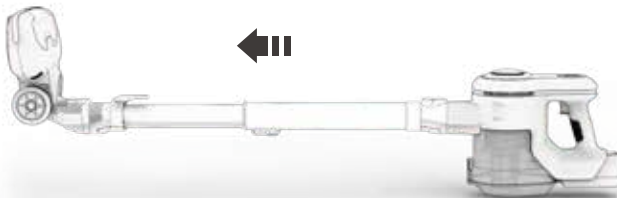
Vacuum cleaner	Color	Gray
	Dimension	112*25*23.5 cm
	Net weight	2.7kg
	Gross weight	3.8kg
	Rated voltage	29.6V
	Rated power	250W
	Dust cup capacity	1.2L
	Vacuum	Min ~ 10Kpa Max ~ 21Kpa
	Usage time	15mins ~ 40mins
	Noise	≤78dB. @1.5m
Battery	Battery capacity	2500mAh
	Charging time	≤5Hrs
	Battery voltage	29.6V
Adapter	Power adapter input	100-240V AC ~ 50/60Hz
	Power adapter output	36V DC 500mA
Floor head	Rated voltage	29.6V
	Rated power	10W

Aluminum-alloy Tube Installation

- Push the aluminum-alloy tube end into the suction port of the main body in the horizontal direction. Make sure there is no looseness. The hearing of “click” indicates a successful installation. (as picture shows)



- To detach the aluminum-alloy tube, press the release button and pull the tube out. (as picture shows)



Motorized Floor Head Installation

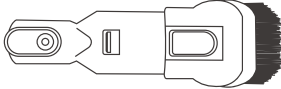
- Push the motorized floor head into the snap-fit joint of the aluminum-alloy tube. The sound of “click” means right and successful installation. (as picture 1 shows)
- To detach the motorized floor head, press the release button and pull the tube out. (as picture 2 shows)



Product Introduction

2 in 1 Nozzle Suction and Crevice Suction Nozzle

Suitable for cleaning small surface, slit or surface of irregular objects, such as corners, windows slit, inner of the appliances, drawer, keyboard, etc.



2 in 1 Suction Nozzle



Crevice Suction Nozzle

Operating

Step 1. Preparation

Please make sure the battery power is sufficient before using it. It's recommended to charge for 6 hours before its first use.

Step 2. Start to Work

Press the button to start the machine, and press again to stop working.



Step 3. Switch Working Modes

The default mode of vacuum cleaner is the normal mode (10kpa), switch to the max mode (21kpa) by a single press. The second press goes back to normal mode.



Step 4. Empty the Dust Cup and Clean the Filter Kit

It's recommended to empty the dust cup after every use. The filter kit inside is washable and recyclable. Just wash the filter kit under the faucet and set it back when it's air-dried.



Product Maintenance

It's suggested to do some maintenance to max its performance as well as prolong its service life.

① Main Body Maintenance (Handheld Part)

- ⚠ Please stop the appliance before cleaning it.
- ⚠ Scrub the appliance with water or neutral detergent. Make sure the cloth is wrung before the scrubbing and prevent the water from flowing into the inner machine.
- ⚠ Do not place the appliance in sunlight or wet places after cleaning.

② Dust Cup & Filter

The dust cup of this product adopts transparent design. Please pay close attention to the dust conditions of the dust cup and filter. Regular cleaning ensures product performance.

③ Dust Cup Cleaning

The sign —MAX— is full dust hint. Once the dust approaches or arrives —MAX—, please clean up promptly. In order to clean easily, we recommend to remove the alluminum alloy tube and other parts.

④ Detachable Fluff Brush Cleaning

Find the buckle on the left side of the floor head and open it up. Take out the fluff brush and remove the cords and hairs on it with scissors or the gifting cleaning brush in the package.



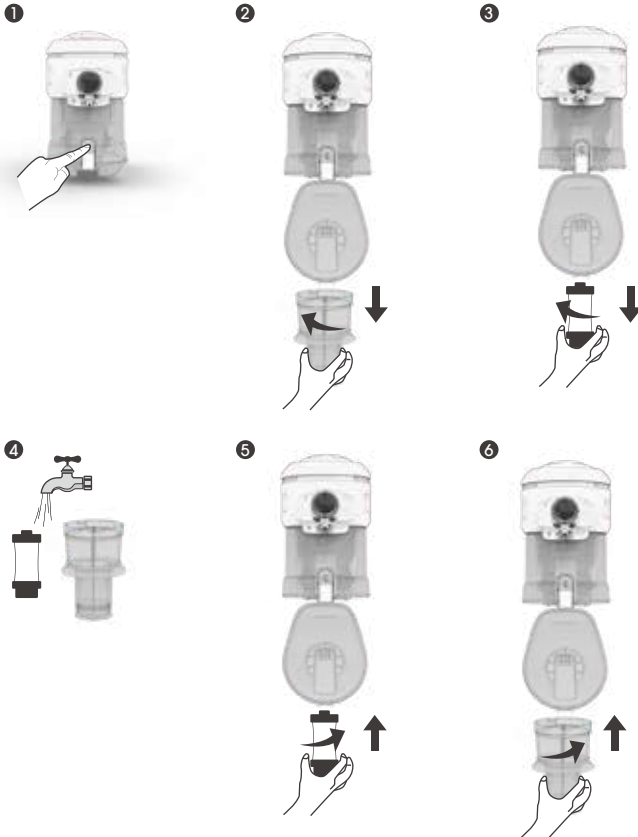
Maintenance

5 Clean the Filter Kit

To keep the best performance of the appliance, we recommend cleaning the filter kit every week, and rinsing it at least once per month.

Tips: 6 steps to clean the filter kit

1. Press the release button to open dust cup lid.
2. Rotate the filter cover anti-clockwise and take it out downwards.
3. Rotate the filter element anti-clockwise and detach it from the dust cup.
4. Wash the filter cover and filter element under the faucet.
5. Rotate the filter element clockwise and attach it to the dust cup.
(Make sure the filter element is air-dried before putting it back.)
6. Rotate the filter cover clockwise and fasten it to the dust cup.
(Make sure the filter cover is air-dried before putting it back.)



6 Motorized Floor Head Cleaning

It is recommended to clean once after every 4 to 5 times the use of the floor head.

- ❗ Turn off the power switch.
- ❗ Take off the Motorized Floor Head.
- ❗ Take out the fluffy brush.
- ❗ Unplug the cover of the fluffy brush's head, clean up the dirt and hair on it.
- ❗ Put the fluffy brush back into the floor head.

Signal Hints

- ▼ The indicator shows the remaining battery once pressing the power-on switch.
- ▼ The indicator light flashes when the remaining power is lower than 5%. Please charge it on time to avoid battery damage.
- ▼ The indicator displays the power when the battery is charging after putting in the appliance.
- ▼ Do not operate the appliance when it's charging.

Trouble Resolutions

Common Failure Analysis and Treatment

Symptom	Possible Cause	Solution
Vacuum cleaner doesn't work.	<ol style="list-style-type: none">1. Low battery.2. The main body's air vent is blocked.	<ol style="list-style-type: none">1. Charge the battery.2. Clean up the suction inlet.
Product suction weakens.	<ol style="list-style-type: none">1. The dust cup and filter components are dusty.2. The brush head was blocked with hair.	<ol style="list-style-type: none">1. Clean up the dust cup and filter components.2. Clean up the brush head and other accessories.
Motor has strange sound when working.	Main suction mouth or aluminum-alloy tube is blocked.	<ol style="list-style-type: none">1. Clean up the blockage.2. If it still doesn't work, please contact our customer service team.
Roller brush does not rotate.	The roller brush was blocked with hair.	Clean up all hair on the brush and unplug the cover of the brush to remove the hair on the roller.

The crossed-out wheelie bin symbol on this item indicates that this appliance needs to be disposed of in an environmentally friendly way when it becomes of no further use or has worn out. Contact your local authority for details of where to take the item for recycling.

Weak Suction

- **“Check if the product is assembled correctly.”**
(please assemble the product according to the instructions.)
- **“Check for foreign matter blockage?”**
(remove the foreign body from the aluminum-alloy tube or floor head.)
- **“Is the filter kit too dirty?”**
(Take out the filter kit and have a check. Gently tap the filter cover and filter element to remove dust and debris, and wash it if it is still too dirty for filtering. Make sure the filter kit is thoroughly air-dried before reassembling. It's recommended to wash the filter kit at least once per month to keep good suction and cleaning performance.
Note: machine runs with a wet filter kit will damage the product and reduce suction)
- **“Is the battery power enough?”**
(suction may be influenced by the insufficient battery power, if the suction decreased obviously, please recharge the battery.)

Stop working suddenly

- **“Thermostat protection triggered by motor overheating.”**
(cool the appliance for 30 minutes and then restart.)
- **“Machine protection triggered by blocking.”**
(turn on the machine again after cleaning the foreign matter which blocks the air inlet.)
- **“Machine damaged.”**
(please contact customer service with video and text description.)
- **“Is the battery power enough?”**
(Please start it after recharging.)

Problem Self-checking Q&A

Floor head malfunction

- **“Check if the product is assembled correctly.”**
(please assemble the product according to the requirements of the manual.)
- **“Check for foreign matter blockage.”**
(remove hair, foreign matter, etc from both sides of the brush.)
- **“Carpet wool too long?”**
(when cleaning carpets, the long hairs tend to stick on the brush, causing damage to the brush.)
- **“The floor head turns but the LED doesn’t work? LED lights but floor head don’t work?”**
(please contact customer service with video and text description.)

Charging issues

- **“Check if the product is assembled correctly.”**
(Please follow the instructions to install the battery pack and the main engine of the machine. Ensure that the battery pin is fully integrated with the motor.)
- **“No charger? The adapter is out of order.”**
(please contact customer service with video and text description.)
- **“Can’t use it even after fully charged?”**
(Check if the battery is assembled correctly. If you can’t use it, please contact customer service with video and text description.)
- **“Hot when charging the battery?”**
(recharge it after cooling. If there is no improvement, contact customer service.)

Disposal Information

Disposal

The battery used with this device must not be disposed of in household waste.

The device and the battery must be disposed of properly.

The housing of the battery must never be opened, and must be disposed of as a whole.

This product is subject to the provisions of European Directive 2019/19/EC. The symbol showing a wheeled bin crossed through indicates that the product requires separate refuse collection in the European Union. This applies to the product and all accessories marked with this symbol. Products identified with this symbol may not be discarded with normal household waste, but must be taken to a collection point for recycling electric and electronic appliances.

This recycling symbol marks e.g. an object or parts of the material as valuable for recycling. Recycling helps to reduce the consumption of raw materials and protect the environment.



Packaging

When disposing of the packaging, make sure you comply with the environmental regulations applicable in your country.

Distributor: Shen Zhen ZhiYi Technology Co., Ltd

3rd Floor, Bld B, Hytera Technology Park, No.3, 4th of Baolong Road, Longgang,
ShenZhen, China

